

VITO oil filter system



MADE IN GERMANY



VITO X-Series

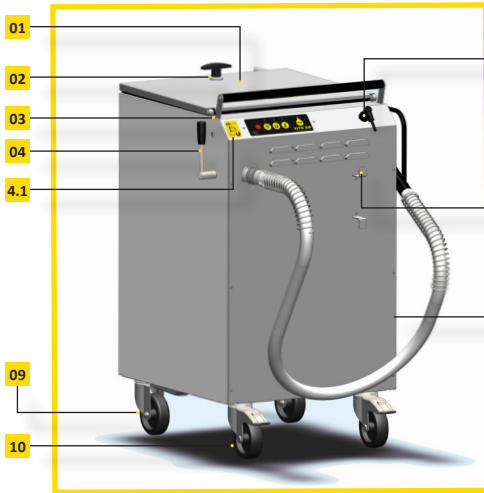
User Manual - Bedienungsanleitung
Manual de instrucciones - Manuale d'instruzione
Manuel d'utilisation - دليل الاستخدام

Contents

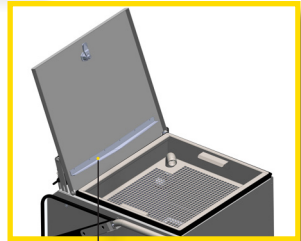
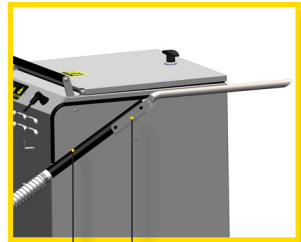
1. VITO X- Series - Overview	2
1.1 Product description VITO X-Series	2
1.2 Scope of delivery	3
2. Legal information	3
3. Preface	4
4. General notes	4
5. Safety guidelines / symbol explanation	4
6. VITO X-Series	4
6.1 Designated use	4
6.2 Non designated use	4
7. Preparation before use	5
7.1 Safety guidelines	5
8. Filtration process	5
8.1 Requirements	5
8.2 Operation notes	6
8.3 Starting the filtration process	6
8.4 Stopping the filtration process prematurely	6
8.5 Starting the return process	6
8.6 Stopping the return process prematurely	6
9. Storage	7
10. Care and servicing	7
10.1 Important Notes	7
10.2 Cleaning preparation	7
10.3 Manual cleaning	7
10.4 Cleaning with the dishwasher	7
11. Changing the filter paper	8
12. Waste disposal	8
12.1 Packaging disposal	8
12.2 Particle filter disposal	8
12.3 Device disposal (Take-back concept for b2b waste equipment)	8
12.4 WEEE (Waste Electrical and Electronic Equipment) Directive	8
13. Troubleshooting	9
14. Technical data	10
15. Declaration of conformity	11

1. VITO X- Series - Overview

VITO X-Series (VITO XM sample)



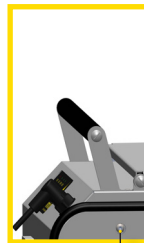
Right side view



1.1 Product description VITO X-Series

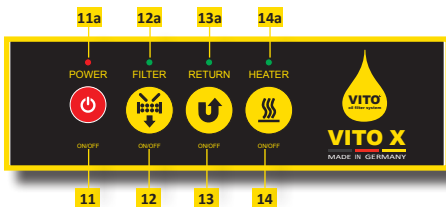
- 01. Top-cover
 - 01.1. Oil drip shield
- 02. Locking handle
- 03. Front handle (height adjustable)
 - 03.1. Screw for adjusting front handle (2 pcs.)
- 04. Switch lever FILTER / RETURN
 - 04.1. FILTER / RETURN symbol
- 05. Power cord
- 06. Cable holder
- 07. Lance with handle
- 08. Lance holder
- 09. Castor without total lock (2 pcs.)
- 10. Castor with total lock (2 pcs.)

1.1

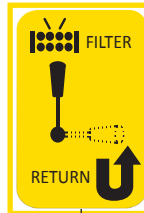


Front handle down 3.1 Front handle up

• Control panel



- 11. POWER button
- 12. FILTER button
- 13. RETURN button
- 14. HEATER button
- 11a. Power indicator (red LED)
- 12a. Filter indicator (green LED)
- 13a. Return indicator (green LED)
- 14a. Heater indicator (green LED)



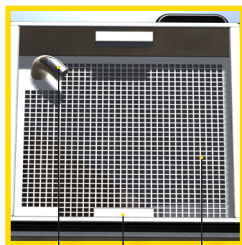
4.1



15 16 17



18 19 20



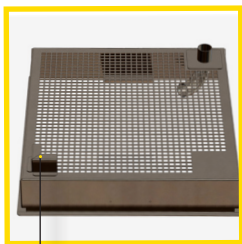
21 22 23



24 25



26 27



28

1.1 Product description VITO X-Series

- 15. Installation slot for hose (16)
- 16. Lance with hose and quick coupling
- 17. Bend protection
- 18. Tank
- 19. Connection piece
- 20. Filter basket inflow bottom (attaches to connection piece)
- 21. Filter basket inflow top
- 22. Filter basket handles
- 23. Filter basket
- 24. Turbine intake
- 25. Oil level sensor
- 26. Particle filter
- 27. Sealing
- 28. Twist protection

1.2 Scope of delivery

- VITO X-Series
- Power cord
- Lance with hose and quick coupling
- Filter basket
- User manual
- Short instruction
- Particle filter (1 pcs.)
- Hex key (for front handle)(3)

2. Legal information

VITO AG

Eltastrasse 6
78532 Tuttlingen (Germany)
Phone : +49 (0) 7461 / 96289-0
Fax : +49 (0) 7461 / 96289-12
info@vito.ag
www.vito.ag

CEO:

Andreas Schmidt (MBA, Dipl.-Wirt.Ing)
Headquarter: Tuttlingen, Germany
Reg. court: Stuttgart HRB 750227

In cooperation with:

University Albstadt-Sigmaringen (Germany)
- Industrial engineering with business studies -

Jakobstrasse 1
72458 Albstadt (Germany)
Copyright © VITO AG

All rights reserved

This document is protected by copyright of VITO AG.

Any reproduction, in part or as a whole, without the written permission of VITO AG is prohibited.

Changes in the sense of the technical progress are reserved.

3. Preface

Dear VITO customer,

thank you for choosing this product by VITO AG.

Please read the manual carefully to familiarize yourself with the handling of your VITO oil filter system to ensure proper use. Your local dealer and the customer service are available to answer your questions and provide support.

We are grateful for comments and suggestions concerning the VITO oil filter system and / or user manual.

(Please find contact information in chapter 2 Legal information.)

We hope that you enjoy your VITO oil filter system for a long time and increase the efficiency in your establishment. With VITO you own a high-quality oil filter system from which you can expect a long life and efficient support for your work.

4. General notes

This user manual contains important information about the handling of the VITO X-series. Please read this document carefully before using your VITO. Keep this manual available for more information.

VITO is an oil filtration system, designed for the cleaning of frying oil / shortening. Frying will contaminate the oil with burned particles. VITO allows to clean the oil straight out of the fryer. Filtering with VITO prolongs the lifetime of the oil.

We recommend filtration with VITO once or twice a day. The VITO particle filter can be used several times before it has to be changed. As soon as the oil can't be vacuumed anymore or the filter basket for the particles is full, the particles should be disposed according to local regulations (see chapter 12.2 Filter disposal).

5. Safety guidelines / symbol explanation

Wrong treatment of the VITO can lead to dangers and injuries. The following should be observed.

Possible dangers are marked with these signs:



Warning

Danger of injury if this is not observed



Risk of electric shock

If incorrect use or opening the housing



Warning / Risk of Eye Injury

Use eye protection while using VITO



Danger of slipping

Contamination on the floor possible



Caution

Important safety instruction



Caution safety gloves

Hot surfaces. Heat resistant safety gloves required.



Danger of burns

For the user of VITO X-Series by incorrect application



Operation instruction

Information about the handling of VITO X-Series



Safety clothing

Wear safety clothing



Danger of hearing disorder

For the user of VITO X-Series



Protection class 1

Use VITO X-Series only in grounded conditions



Wear safety shoes

6. VITO X-Series

6.1 Designated use



- VITO is designed for commercial use.
- Follow the safety instructions! Filtration is only possible if the oil is liquid.
- VITO should only be used by correctly trained personnel!
- VITO oil filter system is designed for intermittent duty.

6.2 Non designated use



THE NONOBSERVANCE OF THE CONTENTS DESCRIBED IN THE MANUAL CAN LEAD TO DAMAGE OR MALFUNCTION OF VITO OR CAN LEAD TO SEVERE HUMAN INJURIES!!!

- VITO is NOT approved for cleaning / filtering of liquids other than frying oil / shortening!
- DO NOT use or store VITO outside! It will be damaged by rain, humidity or cold!
- VITO is NOT designed for continuous duty! Risk of overheating / fire hazard!
- DO NOT cover the ventilation slots!
- DO NOT touch the power plug with wet hands!
- DO NOT jam or bend the power cord!
- The use of VITO is strictly prohibited for children!
- VITO must NOT be operated on a connection other than protection class I (grounded).

NO LIABILITY WILL BE ACCEPTED FOR IMPROPER USE!

7. Preparation before use

7.1 Safety guidelines



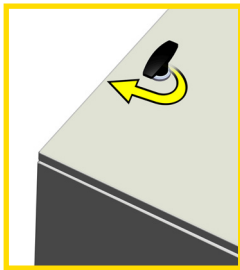
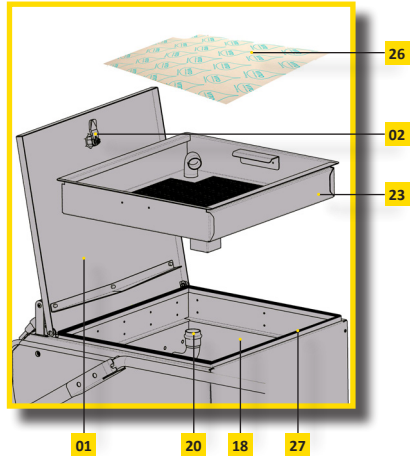
- Don't plug in VITO when you get it immediately for the first time. Wait until VITO can acclimate.
- Clean VITO before using it the first time.
- Check the lance (7) and power cord (5) if they are okay.
- Make sure that the local voltage is conform to the voltage on the type label of VITO!
- **BEFORE YOU START WORKING WITH VITO YOU MUST TURN OFF THE FRYER.**
- **DO NOT RETURN THE OIL WITHOUT PLACING THE LANCE INTO THE FRYER!**
- DO NOT get the power cord (5) in contact with hot oil / shortening or other hot objects!
- The maximum operating temperature is 200°C / 392°F! (Recommended frying temperature 175°C/347°F)
- DO NOT run the pump without oil!
- Pay attention to heating elements, grids or thermal sensors of the fryer!
- Check if the oil level sensor (25) is undamaged. If oil level sensor is damaged, VITO can run over!
- DO NOT destroy the oil level sensor (25) by placing the filter basket (23) incorrectly or with the lance (7) or any other object! The glass prism will be destroyed by mishandling!
- DO NOT use with damaged power cord (5)!
- DO NOT use with damaged hose (7)!
- Device is hot during / after filtration and can cause burns!
- Maximum tank volume **VITO XS** 40 l / 73 lbs - **VITO XM** 75 l / 137 lbs - **VITO XL** 120 l / 220 lbs.
- Operating without filter basket (23) can / might destroy the unit!
- Only operate on a horizontal surface!
- Only hold at the handles (2, 3)!
- DO NOT unscrew power cord (5)!
- Take the lance (7) out of the fryer after the filtration process!
- DO NOT use VITO without closed top-cover (1).
- You can work with VITO X-series without ear protection for max. 30 min of filtration per day.
- DO NOT move VITO with open top-cover (1).
- DO NOT move VITO during filtration process!

8. Filtration process

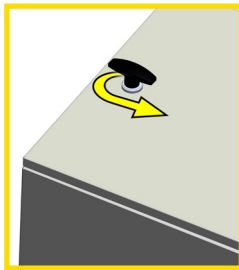
8.1 Requirements



1. Insert the filter basket (23) into the tank.
Filter basket inflow bottom (20) must be plugged into connection piece (19) inside the tank (18).
 2. Place the particle filter (26) in the filter basket (23) (See chapter 11 Particle filter change).
 3. Check if the sealing (27) is completely (all around the machine) covered by the filter basket (23) shape.
 4. Close the top cover (1) using locking handle (2).
 5. Make sure that the quick coupling (16) fits well.
- Operation without a proper set up of the filter basket (23) and correctly closed top-cover (1) is not possible.



Top-cover closed



Top-cover open

8.2 Operation notes



- **BEFORE YOU START WORKING WITH VITO YOU MUST TURN OFF THE FRYER.**
- The filtration process and the return process can be interrupted anytime by pushing the POWER button (11).
- **DO NOT MOVE VITO WHILE FILTRATION IS IN PROCESS!**
- DO NOT USE VITO in an inclined position!
- DO NOT use VITO without the filter basket (23)!
- DO NOT use VITO without closing the top-cover (1)!
- For safety reasons, VITO ends the pumping / filtration process automatically after 5 minutes.
- For safety reasons, VITO automatically turns off the heater after 30 minutes.
- During the operation the POWER indicator (11a) and either the FILTER indicator (12a) or RETURN indicator (13a) lights.

VITO X-Series filtration process

8.3 Starting the filtration process



1. Turn off the deep fryer.
2. Place VITO securely next to the fryer. Use the castor with total lock (10).
3. Plug in VITO. Cooling fan must work.
4. Put lance (7) into the fryer and hold it tight or ensure a secure hold.
5. First turn the switch lever (4) to "FILTER" position, push the POWER button (11). The POWER indicator (red LED) (11a) must be lit. Then press the FILTER button (12).
6. During the filtration, the FILTER indicator (green LED) (12a) must be lit.
7. When the maximum level in the tank (18) is reached, VITO automatically switches off the filtration. The FILTER indicator (green LED) (12a) flashes and an acoustic signal can be heard.
8. Place the lance (7) in the lance holder (8).

8.4 Stopping the filtration process prematurely



1. Take the lance (7) out of the oil immediately.
2. Let the filtration process continue for 10 seconds.
3. Press the POWER button (11). The POWER indicator (11a) must be off.
4. Place the lance (7) in the lance holder (8).
5. Unplug VITO.

8.5 Starting the return process



1. Turn off the deep fryer.
2. Place VITO securely next to the fryer. Use the castor with total lock (10).
3. Plug in VITO. Cooling fan must work.
4. If you are using fat instead of liquid oil, press the HEATER button (14). The heater indicator (green LED) (14a) must be lit. Wait until the fat is liquid.
5. Put lance (7) into the fryer and hold it tight or ensure a secure hold.
6. Press the POWER button (11) and the the RETURN button (13). Now slowly turn the switch lever (4) to the "RETURN" position.
7. RETURN indicator (13a) and POWER indicator (11a) must be lit during the return process.

CAUTION AT THE BEGINNING OR THE END OF THE BACK PUMPING PROCESS AIR ESCAPES OUT OF THE HOSE, WHICH MAY LEAD TO BUBBLES AND SPLASHING.

8.6 Stopping the return process prematurely

1. End the pumping process by pressing the RETURN button (13). RETURN indicator (13a) must be off. Now carefully lift the lance (7) out of the oil. Hold the lance (7) over the deep fryer.
2. Push the FILTER button (12) and then turn switch lever (4) to "FILTER". Then turn the switch lever (4) to "RETURN".
Hint: Make this process 2 or 3 time to make sure that the system is empty from oil or fat. The rest of the oil or fat will be in the tank. Press FILTER button (12) to end the process.
3. Press the POWER button (11). The POWER indicator (red LED)(11a) must be off.
4. Place the lance (7) in the lance holder (8).
5. Unplug VITO.

9. Storage

- DO NOT put VITO into a cold storage room. Condensation will destroy the electric parts.
- Permissible storage temperature +10°C to +35°C / +50°F to +95°F.

10. Care and servicing

10.1 Important Notes



- Clean the tank (18), the oil level sensor (25) and the filter basket (23) after every change of the particle filter (26).
- Only clean VITO when the machine is cold.
- DO NOT use abrasive cleaners.
- DO NOT use wire brush or similar.
- DO NOT unscrew the power cord.

10.2 Cleaning preparation



1. Disconnect the power cord (5) from main.
2. Make sure that VITO is cooled down.
3. Open the top-cover (1).
4. Take out the filter basket and dispose the particle filter (26) (see chapter 12.2).
5. Clean the filter basket (23) manual or with dish washer.
6. Clean the rest of the machine manually.

MAKE SURE THAT YOU CLEAN VITO CONSIDERING THE HACCP RULES OR YOUR COUNTRY REGULATIONS!

10.3 Manual cleaning

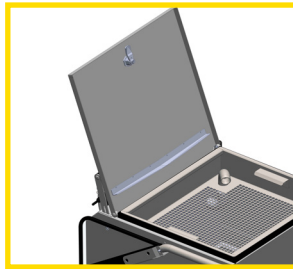
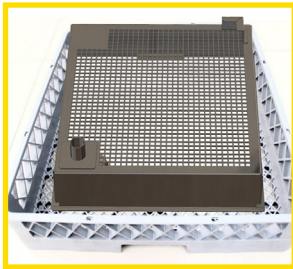


1. Clean the control panel and the switch lever (4) with a damp cloth. DO NOT use running water. This will harm the electrical system of the machine.
2. Clean the remaining parts with soapy water.
3. Wash the filter basket (23).
4. Dry VITO.

10.4 Cleaning with the dishwasher



1. Only put the filter basket (23) in the dishwasher.
2. Start the cleaning program.
3. Clean the control panel with a damp cloth.
4. Clean the remaining parts with soapy water.



11. Changing the filter paper

- Change the particle filter (26) only if necessary. The time of change is based on usage of VITO and amount of sediment in the of the frying oil.
- The filter has to be changed when there is no performance or the filter is full or blocked.

Filter empty



Filter full



Filter must be changed

12. Waste disposal

12.1 Packaging disposal

- The packaging should be recycled or
- keep the packaging carefully.

12.2 Particle filter disposal

- Used particle filter must be disposed in the country-specific way.

12.3 Device disposal (Take-back concept for b2b waste equipment)

All customers of VITO AG may contact us at any time to return waste equipment if required. This usually happens when devices and/or electronic circuit boards are defective or when devices are exchanged for a newer generation of devices. We dismantle the devices accordingly and return the separated raw materials to the environmental cycle. All electronic components are handed over via our disposal points specified at ear (stiftung elektro-altgeräte register®) and proven via the annual notification to ear.

Send VITO to:

VITO AG

Eltastrasse 6
78532 Tuttlingen (Germany)

For further questions please contact your local dealer or the VITO AG customer support

12.4 WEEE (Waste Electrical and Electronic Equipment) Directive

Do not throw power devices in the household waste! According to the European Directive 2002/96/EG on Waste electrical and electronic equipment and its implementation in national law, not usable power tools are collected separately and recycled in an environmentally friendly manner.

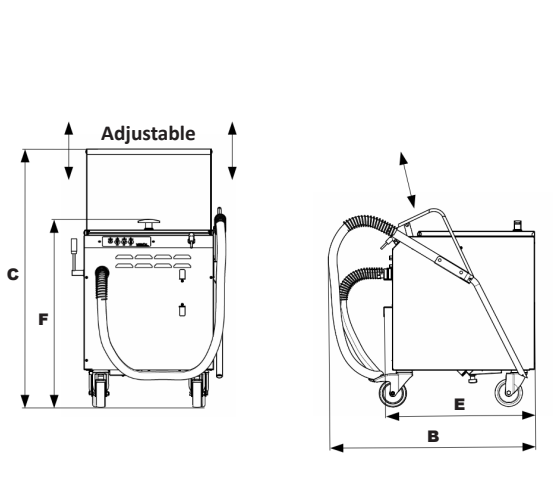
Manufacturers of these devices are obliged to take back products that are no longer usable. VITO AG will comply with the product take back requirements at the end of life of VITO-branded products that are sold into the EU. You can return these products to local collection points.

13. Troubleshooting

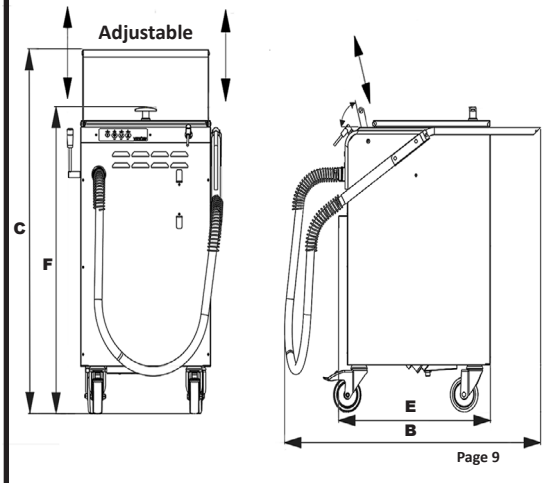
Malfunction	Possible cause	Remedial action
POWER indicator (red LED) (11a) stays inactive	<ul style="list-style-type: none"> Power cord (5) not plugged in Power cord (5) defective Fuse of VITO defective 	<ul style="list-style-type: none"> Plug in VITO Please contact service Please contact service
VITO is very noisy during operation	<ul style="list-style-type: none"> Pump or turbine defective 	<ul style="list-style-type: none"> Please contact service
One if the LED is not lit but machine can still be started	<ul style="list-style-type: none"> LED defective 	<ul style="list-style-type: none"> Please contact service
VITO cannot be started	<ul style="list-style-type: none"> Control defective 	<ul style="list-style-type: none"> Please contact service
Line fuse / Ground fault circuit fuse (GFCI) blowout	<ul style="list-style-type: none"> Power cord (5) or other electric parts defective 	<ul style="list-style-type: none"> Please contact service
Low return pumping performance	<ul style="list-style-type: none"> Pump blocked Pump defective Hose (16) clogged Tube clogged Lance (7) clogged 	<ul style="list-style-type: none"> Clean Please contact service Clean Clean Clean
No or too little vacuum	<ul style="list-style-type: none"> Particle filter (26) is blocked Particle filter (26) full Filter basket (23) full Too much space between top-cover (1) and tank (18) Hose (16) clogged Sealing (27) damaged 	<ul style="list-style-type: none"> Change particle filter (26) Change particle filter (26) Empty filter basket (23) Position the top-cover (1) correctly Clean Please contact service
Particles in the filtered oil	<ul style="list-style-type: none"> No filter (26) placed Filter (26) placed incorrectly 	<ul style="list-style-type: none"> Insert filter Insert filter as described
No extraction and FILTER indicator (12a) flashes and acoustical sound	<ul style="list-style-type: none"> Oil level sensor (25) dirty Oil level sensor (25) broken (check glass prism) Max. Oil level reached Filter basket (23) / filter (26) defective 	<ul style="list-style-type: none"> Clean Please contact service Return the oil and try again Replace filter with a new one Please contact service
Heating is not working although HEATER indicator (14a) is lit	<ul style="list-style-type: none"> Heater defective Control defective 	<ul style="list-style-type: none"> Please contact service Please contact service
FILTER indicator (12a) is lit but turbine is not working	<ul style="list-style-type: none"> Turbine defective Control defective 	<ul style="list-style-type: none"> Please contact service Please contact service

Should other issues appear, get in contact with the VITO customer support or your local dealer!
 Contact details on chapter 2 "Legal information".

VITO XS- 40I



VITO XM- 75I



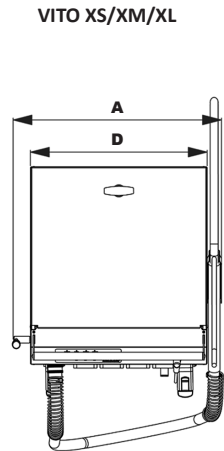
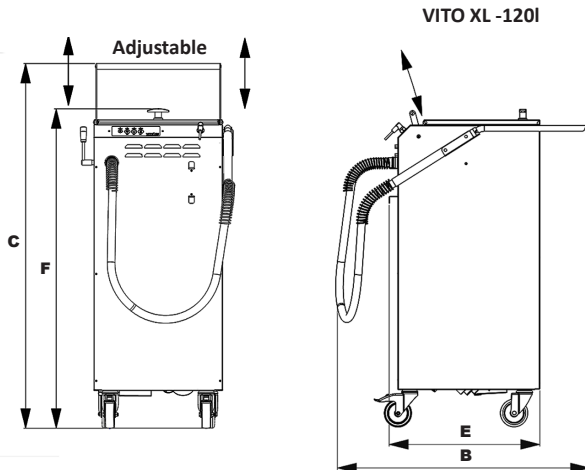
14. Technical data

	VITO XS	VITO XM	VITO XL
Nominal voltage	Nominal voltage is country-specific, see type label 220 – 240V ~ ±10% 50 – 60Hz 100 – 120V ~ ±10% 50 – 60Hz		
Nominal power consumption	approx. 6,0A at 220-240V approx. 8,5A at 100-120V		
Max. heating power	110W		
Operating temperature	max. 200°C/ 392°F		
Turbine: Max. power / Nominal power	220-240V = 1150 / 1050W 100-120V = 850 / 750W		
Filtration power	up to 30 l/min (66 lbs/min)		
Pump: Max. power / Nominal power	500W/460W		
Pumping power	35 l/min (77lbs /min)		
Weight	45,0 kg (100 lbs)	55,8 kg (123 lbs)	64,0 kg (141 lbs)
Acoustic signal	YES		
Particle taking (nominal)	10.7 kg / 23.6 lbs* (10l)		
Tank volume	40 l (73 lbs)	75 l (137 lbs)	120 l (220 lbs)
Noise level	up to 95dBA*		
Storage temperature	+10°C to +35°C (+50°F to +95°F)		
User control	control panel / switch lever		
Particle filter	material: cellulose FDA-CFR 21		
Protection class	IP23		
Oil level sensor switch point	40 l (73 lbs)	75 l (137 lbs)	120 l (220 lbs)
Operating mode	intermittent duty		

Dimensions	Assembled			Compact		
	Width A	Depth B	Height C	Width D	Depth E	Height F
VITO XS	555 mm / 21.8 in	723 mm / 28.5 in	843 mm / 33.2 in	470 mm / 18.5 in	552 mm / 21.7 in	682 mm / 26.9 in
VITO XM	555 mm / 21.8 in	885 mm / 34.8 in	1044 mm / 41.1 in	470 mm / 18.5 in	552 mm / 21.7 in	886 mm / 34.9 in
VITO XL	555 mm / 21.8 in	885 mm / 34.8 in	1334 mm / 52.5 in	470 mm / 18.5 in	552 mm / 21.7 in	1174 mm / 46.2 in

*standard bread crumbs

* Regarding the European EG-Noise Directives 2003/10/EG working with VITO X-series for max. 30 min without ear protection only with filtration process per day



15. Declaration of conformity

Issued by **VITO AG** | Eltastrasse 6 78532 Tuttlingen (Germany) | Phone : +49 (0) 7461 / 96289-0
 Fax : +49 (0) 7461 / 96289-12 | Email: info@vito.ag

For the products: **VITO X-Series, International Patent pending.**

The professional oil and fat filtration equipment is manufactured and tested according to the following standards:

For the purposes of the EU directives:

- **2006/42/EG** Machinery Directive
- **2014/30/EU** Electromagnetic Compatibility
- **2014/35/EU** Low Voltage Directive
- **2011/65/EU** RoHS - Directive (Restriction of certain Hazardous Substances)
- **2003/10/EC** Minimum requirements to protect the safety and health of workers
- **2012/19/EU** Waste Electrical and Electronic Equipment

The risks from physical effects (noise), the filtration devices of the X-series meet the relevant community harmonization legislation of the European union.

- **EN 61000-6-1: 2019** Immunity
- **EN 61000-6-2: 2019** Immunity
- **EN 61000-6-3: 2011-09** Emission
- **EN 61000-6-4: 2020-09** Emission

with German, European and International (Non - European) standards

German standard DIN EN		European standard EN		International standard IEC (IEC/CISPR)
DIN EN 61000-6-1:2019-11	based on	EN 61000-6-1:2019	based on	IEC 61000-6-1:2016
DIN EN 61000-6-2:2019-11	based on	EN 61000-6-2:2019	based on	IEC 61000-6-2:2016
DIN EN 61000-6-3:2011-09	based on	EN 61000-6-3:2007+A1:2010	based on	IEC 61000-6-3:2006 + A1:2010
DIN EN 61000-6-4:2020-09	based on	EN 61000-6-4:2019	based on	IEC 61000-6-4:2018
DIN EN 61000-3-2:2019-12	based on	EN 61000-3-2:2019	based on	IEC 61000-3-2:2018
DIN EN 61000-3-3:2020-07	based on	EN 61000-3-3:2013+A1:2019	based on	IEC 61000-3-3:2013-05
DIN EN 60335-1:2020-08	based on	EN 60335-1:2012	based on	IEC 60335-1:2010, modified
DIN EN 12100:2011-03	based on	EN 12100:2011-03	based on	ISO 12100:2011-03
DIN EN 60204-1:2019-06	based on	EN 60204-1:2019-06	based on	IEC 60204-1:2016, modified
DIN EN 55014-1:2018-08	based on	EN 55014-1:2018-08	based on	CISPR 14-1:2016 + COR1:2016
DIN EN 55014-2:2016-01	based on	EN 55014-2:2016-01	based on	CISPR 14-2:2015
-	-	VO (EG) No. 2023/2006	-	-
-	-	VO (EG) No. 1935/2004	-	-
DIN EN 10088-1:2014-12	-	-	-	-
DIN 18876 A1:2018-06	-	-	-	-
DIN 18876 A2:2018-06	-	-	-	-
DIN 18876 A3:2018-06	-	-	-	-
DIN EN 50396:2006-07	-	-	-	-
DIN EN 61003-2:2017-06	-	-	-	-
DIN EN 10095:2018-12	-	-	-	-
DIN EN 10269:2014-02	-	-	-	-
DIN EN 10302:2008-6	-	-	-	-
DIN EN 82079-1:2013-6	-	-	-	-
-	-	2002/72/EG	-	-
ProdSG	based on	2001/95/EG	-	-
LFGB	-	-	-	-
DGUV-Rule 110-002	-	-	-	-

Tuttlingen, 2023
 Andreas Schmidt

CEO
 VITO AG

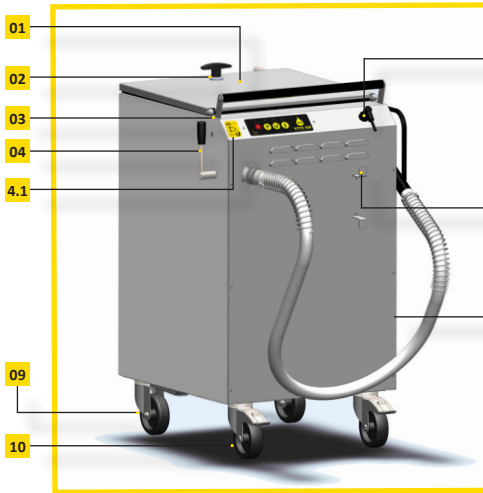


Inhalt

1. VITO X- Serie - Übersicht	2
1.1 Produktbeschreibung VITO X-Serie	2
1.2 VITO X-Serie Lieferumfang	3
2. Rechtlicher Hinweis	3
3. Vorwort	4
4. Allgemeine Hinweise	4
5. Sicherheitshinweise / Symbolerklärung	4
6. VITO X-Serie	4
6.1 Bestimmungsgemäß	4
6.2 Nicht bestimmungsgemäß	4
7. Vorbereitung vor dem Einsatz	5
7.1 Sicherheitshinweise	5
8. Filtrervorgang	5
8.1 Voraussetzungen	5
8.2 Hinweise zum Betrieb	6
8.3 Starten des Filtrervorgangs	6
8.4 Vorzeitiger Abbruch oder Beendigung des Filtrervorgangs	6
8.5 Starten des Pumpvorgangs	6
8.6 Vorzeitiger Abbruch oder Beendigung des Pumpvorgangs	6
9. Aufbewahrung / Lagerung	7
10. Pflege und Wartung	7
10.1 Wichtige Hinweise	7
10.2 Reinigung vorbereiten	7
10.3 Reinigen von Hand	7
10.4 Maschinelle Reinigung	7
11. Filterwechsel	8
12. Entsorgung	8
12.1 Entsorgung der Verpackung	8
12.2 Entsorgung der Partikelfilter	8
12.3 Entsorgung der Altgeräte (Rücknahmekonzept b2b).....	8
12.4 WEEE (Waste Electrical and Electronic Equipment) Richtlinie	8
13. Fehlerbehebung	9
14. Technische Daten	10
15. Konformitätserklärung	11

1. VITO X- Serie - Übersicht

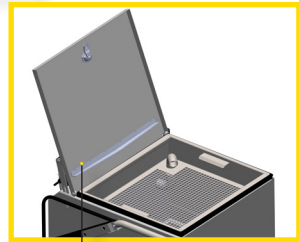
VITO X-Serie
(Beispiel VITO XM)



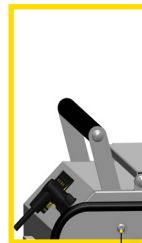
Seitenansicht Rechts



07 08



1.1



Haltegriff Vorderseite unten

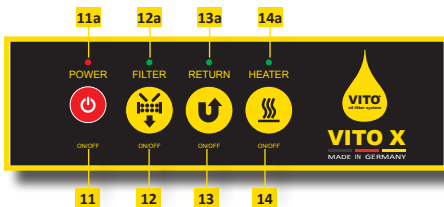


Haltegriff Vorderseite oben

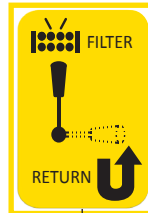
1.1 Produktbeschreibung VITO X-Serie

- 01. Deckel
 - 01.1. Öl-Tropfschild
- 02. Verriegelungsgriff
- 03. Haltegriff Vorderseite (Höhe einstellbar)
 - 03.1. Schraube für Haltegriff Vorderseite (2 Stk.)
- 04. Umschalthebel Filter / Return
 - 04.1. Filter / Return Positionssymbol
- 05. Gerätestecker
- 06. Kabelhalter
- 07. Lanze mit Haltegriff
- 08. Lanzenhalterung
- 09. Rollen ohne Totalfeststeller (2 Stk)
- 10. Rollen mit Totalfeststeller (2 Stk)

• Bedienfeld



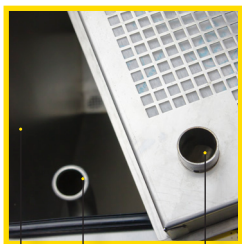
- 11. Taste POWER
- 11a. Poweranzeige (rote LED)
- 12. Taste FILTER
- 12a. Filteranzeige (grüne LED)
- 13. Taste RETURN
- 13a. Returnanzeige (grüne LED)
- 14. Taste HEATER
- 14a. Heateranzeige (grüne LED)



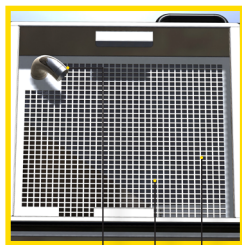
4.1



15 16 17



18 19 20



21 22 23



25 24



26 27



28

1.1 Produktbeschreibung VITO X-Serie

- 15. Anschlussstück für Lanzenschlauch
- 16. Lanzenschlauch mit Schnellkupplung
- 17. Knickschutz
- 18. Tank
- 19. Verbindungsstück
- 20. Filterkorbeinlauf unten
(Anschluss an Verbindungsstück 19)
- 21. Filterkorbeinlauf oben
- 22. Filterkorb Haltegriffe
- 23. Filterkorb
- 24. Ansaugöffnung
- 25. Öllevelsensur
- 26. Partikelfilter
- 27. Dichtung
- 28. Verdrehschutz

1.2 VITO X-Serie Lieferumfang

- VITO X-Serie
- Netzleitung
- Lanzenschlauch mit Schnellkupplung
- Filterkorb
- Handbuch
- Kurzbedienungsanleitung
- Partikelfilter 1 Stück
- Innensechskantschlüssel
(für Haltegriff Vorderseite)(3)

2. Rechtlicher Hinweis

VITO AG

Eltastrasse 6
78532 Tuttlingen (Deutschland)
Tel. : +49 (0) 7461 / 96289-0
Fax : +49 (0) 7461 / 96289-12
info@vito.ag
www.vito.ag

CEO:

Andreas Schmidt (MBA, Dipl.-Wirt.Ing)
Geschäftssitz des Unternehmens: Tuttlingen, Germany
Handelsregistereintrag: Stuttgart HRB 750227

In Kooperation mit:

Universität Albstadt-Sigmaringen
(Deutschland)
- Wirtschaftsingenieurwissenschaften -

Jakobstrasse 1
72458 Albstadt (Deutschland)

Copyright © VITO AG
Alle Rechte vorbehalten
Dieses Dokument unterliegt dem
Urheberrecht der VITO AG.
Änderungen im Sinne des technischen Fort-
schritts sind vorbehalten.

3. Vorwort

Sehr geehrter VITO Kunde,

Vielen Dank, dass Sie sich für ein Produkt aus dem Hause VITO AG entschieden haben.

Bitte lesen Sie die Bedienungsanleitung aufmerksam durch, um einen sicheren Einsatz und ein optimales Filtrationsergebnis zu erreichen. Bei Fragen steht Ihnen Ihr Händler oder der Kundenservice gern zur Verfügung. Wir sind dankbar für Anregungen und Vorschläge zu VITO Frittierölfilter und/oder zum Benutzerhandbuch. (Siehe hierzu auch die Kontaktinformationen). Wir hoffen, dass Sie lange Zeit viel Freude an Ihrem VITO Frittierölfilter haben und die Effizienz in Ihrem Betrieb steigern.

Mit VITO sind Sie im Besitz eines hochwertigen Frittierölfiltrationssystemes von dem Sie eine lange Produktlebensdauer und effiziente Unterstützung bei Ihrer Arbeit erwarten können.

4. Allgemeine Hinweise

Diese Bedienungsanleitung enthält wichtige Informationen über die Eigenschaften und die Anwendung von VITO X-Serie. Lesen Sie dieses Dokument aufmerksam durch und machen Sie sich mit der Bedienung des VITO vor dem Einsatz vertraut. Bewahren Sie dieses Handbuch stets griffbereit auf, um bei Bedarf schnell nachschlagen zu können. VITO ist ein Frittierölfiltrationssystem zur Reinigung von gebrauchtem Frittieröl. Nach dem Frittiervorgang ist das Öl mit Fremdpartikeln der zubereiteten Speisen belastet. Mit VITO kann das Öl direkt vor Ort gereinigt werden.

Das Filtrieren mit VITO verlängert die Lebenszeit des Frittieröls.

Wir empfehlen die Filtration mit VITO ein- oder zweimal am Tag. Der VITO Partikelfilter kann mehrfach benutzt werden, bevor er gewechselt werden muss. Sobald das Öl nicht mehr angesaugt wird oder der Filterkorb mit Partikeln voll ist, sollte der Inhalt gemäß den örtlichen Bestimmungen entsorgt werden.

5. Sicherheitshinweise / Symbolerklärung

Fehlerhafte Bedienung des VITO kann zu Gefahren und Verletzungen führen. Folgendes sollte beachtet werden.

Mögliche Gefahren sind mit diesen Symbolen markiert:



Warnung
Verletzungsgefahr bei Nichtbeachtung



Stromschlaggefahr
durch fehlerhafte Handhabung oder Öffnen des Gehäuses



Warnung / Risiko einer Augenverletzung
Verwenden Sie bei der Verwendung von VITO einen Augenschutz



Rutschgefahr
bei Verunreinigungen auf dem Boden



Vorsicht
wichtiger Sicherheitshinweis



Vorsicht Schutzhandschuhe
Heiße Oberflächen. Hitzebeständige Schutzhandschuhe erforderlich.



Verbrennungsgefahr
für den Benutzer bei fehlerhafter Bedienung von VITO



Bedienungshinweis
Informationen zur Bedienung von VITO



Sicherheitsbekleidung
Sicherheitsbekleidung tragen



Gefahr der Gehörschädigung
für Nutzer der VITO X-Serie



Schutzklasse 1
Benutzen Sie VITO nur in geerdetem Umfeld



Sicherheitsschuhe tragen

6. VITO X-Serie

6.1 Bestimmungsgemäß

- VITO ist für den kommerziellen Einsatz im gewerblichen Bereich konzipiert
- Beachten Sie die Sicherheitshinweise! Die Filtration ist nur möglich, wenn das Öl flüssig ist
- VITO sollte nur von entsprechend geschultem Personal bedient werden!
- VITO ist für den Aussetzbetrieb ausgelegt!



6.2 Nicht bestimmungsgemäß



DIE NICHTBEACHTUNG DER BESCHRIEBENEN FÄLLE KANN ZUR BESCHÄDIGUNG UND FEHLFUNKTION VON VITO ODER ERNSTHAFTEN VERLETZUNGEN FÜHREN!!!

- VITO ist NICHT für die Filtration von anderen Flüssigkeiten als Frittieröl zugelassen!
- Benutzen oder lagern Sie VITO NICHT im Freien! Beschädigung durch Regen und Feuchtigkeit.
- VITO ist NICHT für den Dauerbetrieb ausgelegt! Überhitzungs- / Brandgefahr!
- Die Lüftungsöffnungen nicht bedecken!
- Das Netzkabel NICHT mit nassen Händen anfassen!
- Das Netzkabel NICHT einklemmen oder knicken!
- Kindern ist der Gebrauch von VITO strengstens untersagt!
- VITO darf nur an einer Schutzklasse I Verbindung betrieben werden (mit Schutzleiterkontakt).

FÜR UNSACHGEMÄßEN GEBRAUCH WIRD KEINE HAFTUNG ÜBERNOMMEN!

7. Vorbereitung vor dem Einsatz

7.1 Sicherheitshinweise



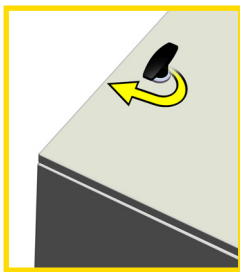
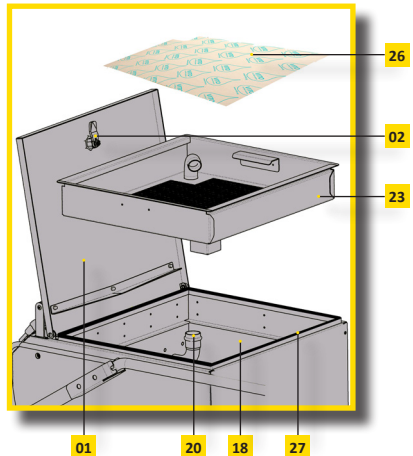
- Benutzen Sie VITO nicht sofort nachdem Sie das Gerät erhalten. VITO muss sich akklimatisieren.
- Vor der Erstbenutzung VITO reinigen.
- Stellen Sie sicher, dass das Netzkabel (5) und der Lanzenschlauch (7) unbeschädigt sind.
- Stellen Sie sicher, dass die lokale Spannung mit der Spannung am Typenschild von VITO übereinstimmt.
- **SCHALTEN SIE IHRE FRITTEUSE AUS BEVOR SIE MIT VITO ARBEITEN. BRANDGEFAHR!**
- **PUMPEN SIE DAS ÖL NICHT ZURÜCK OHNE DIE LANZE IN DIE FRITTEUSE ZU HALTEN**
- Lassen Sie das Netzkabel (5) NICHT in Kontakt mit heißem Öl oder heißen Gegenständen kommen!
- Die maximale Betriebstemperatur beträgt 200°C (empfohlene Frittierertemperatur 175°C)
- VITO NICHT trocken laufen lassen!
- Auf Heizstäbe, Gitter oder Thermofühler der Fritteuse achten!
- Achten Sie darauf, dass der Öllevelsensor nicht beschädigt ist. Ist dieser beschädigt, kann VITO überlaufen.
- Der Sensor wird durch falsches Einsetzen des Filterkorbes (23), mit der Lanze (7) oder mit anderen Objekten beschädigt! Das Glasprisma wird durch falsche Handhabung zerstört!
- NICHT mit defekter Netzleitung (5) benutzen!
- NICHT mit beschädigtem Schlauch (7) benutzen!
- Gerät wird während / nach dem Gebrauch heiß und kann Verbrennungen verursachen!
- Maximales Tankvolumen VITO XS 40 Liter/ VITO XM 75 Liter/ VITO XL 120 Liter.
- Gerät NICHT ohne Filterkorb (23) benutzen. Dies kann das Gerät zerstören!
- Nutzen Sie VITO nur auf einer geraden Oberfläche!
- Halten Sie VITO nur an den Griffen (2, 3) fest!
- Schrauben Sie nicht die Netzleitung ab.
- Nehmen Sie die Lanze (7) nach dem Filtern oder Pumpen aus der Fritteuse!
- Benutzen Sie VITO nur mit geschlossenem Deckel (1)!
- Mit der VITO X-Serie darf 30 min pro Tag ohne Gehörschutz filtriert werden (reiner Filtrationsprozess).
- Bewegen Sie VITO NICHT mit geöffnetem Deckel (1)
- Bewegen Sie VITO NICHT während der Filtration.

8. Filtriervorgang

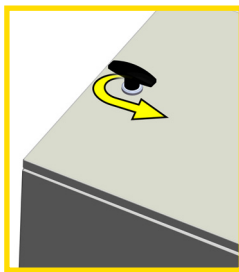
8.1 Voraussetzungen



1. Setzen Sie den Filterkorb (23) in den Tank (18) ein.
Der Filterkorbeinlauf (20) des Filterkorbs muss in das Verbindungsstück (19) des Tanks (18) gesteckt werden.
 2. Legen Sie den Partikelfilter (26) in den Filterkorb (23) ein. (Siehe Kapitel 11 Filterwechsel)
 3. Überprüfen Sie, ob der Filterkorb (23) die Dichtung (27) ringsum abdeckt.
 4. Verwenden Sie den Verriegelungsgriff (2) um den Deckel (1) zu schließen.
 5. Stellen Sie sicher, dass die Schnellkupplung des Lanzenschlauchs (16) sicher auf dem Anschlussstück (15) sitzt.
- Der Betrieb ohne korrekt eingesetzten Filterkorb (23) und ohne geschlossenem Deckel (1) ist nicht möglich.



Deckel ist geschlossen



Deckel ist geöffnet

8.2 Hinweise zum Betrieb



- **SCHALTEN SIE IHRE FRITTEUSE AUS BEVOR SIE MIT VITO ARBEITEN.**
- Der Filtrations- und Rückpumpvorgang kann jederzeit durch drücken der „POWER“ Taste (11) unterbrochen werden.
- **VITO WÄHREND DER FILTRATION NICHT BEWEGEN!**
- VITO **NICHT** schräg stehend betreiben!
- VITO **NICHT** ohne Filterkorb betreiben! Gerät kann dadurch beschädigt werden!
- VITO **NICHT** verwenden ohne den Deckel zu schließen!
- Aus Sicherheitsgründen beendet VITO den Pump-/Filtrationsvorgang automatisch nach 5min.
- Aus Sicherheitsgründen schaltet VITO die Heizung nach 30min automatisch ab.
- Während des Betriebes leuchten die Bereitschaftsanzeige (11a) und entweder „FILTER“ (12a) oder „RETURN“ (13a)

VITO X-Serie Filtrationsprozess

8.3 Starten des Filtrationsvorgangs



1. Schalten Sie Ihre Fritteuse aus.
2. Platzieren Sie VITO neben der Fritteuse und sichern sie diesen mit Hilfe der Rolle mit Totalfeststeller (10).
3. Stecken Sie den VITO ein. Lüfter läuft.
4. Halten Sie die Lanze (7) in die Fritteuse und sorgen Sie für sicheren Halt.
5. Drehen Sie zuerst den Umschalthebel (4) auf „Filter“, drücken Sie den „POWER“-Taster (11) und dann den „FILTER“-Taster (12).
6. Anzeige „FILTER“ (grüne LED) (12a) leuchtet während des Filtrationsvorganges.
7. Ist der maximale Füllstand im Tank (18) erreicht, so schaltet VITO die Filtration automatisch ab. Dabei blinkt die Anzeige „FILTER“ (grüne LED) (12a) und ein akustisches Signal ist zu hören.
8. Stecken Sie die Lanze (7) zur Aufbewahrung in die Lanzenhalterung (8).

8.4 Vorzeitiger Abbruch oder Beendigung des Filtrationsvorgangs



1. Heben Sie unverzüglich die Lanze (7) aus dem Öl.
2. Stoppen Sie den Absaugvorgang erst nach 10 Sekunden.
3. Drücken Sie die „POWER“ Taste (11). Poweranzeige (11a) muss aus sein.
4. Stecken Sie die Lanze (7) zur Aufbewahrung in die Lanzenhalterung (8).
5. Stecken Sie VITO aus.

8.5 Starten des Pumpvorgangs



1. Schalten Sie Ihre Fritteuse aus.
2. Platzieren Sie VITO neben der Fritteuse und sichern sie diesen mit Hilfe der Rolle mit Totalfeststeller (10).
3. Stecken Sie VITO ein. Lüfter läuft.
4. Falls Sie Fett anstelle von flüssigem Öl benutzen, schalten Sie die Heizung (14) vor den weiteren Schritten an. Die Heizeranzeige (14a) muss leuchten. Warten Sie bis das Fett flüssig geworden ist.
5. Halten Sie die Lanze (7) in die Fritteuse und sorgen Sie für einen sicheren Halt.
6. Drücken Sie auf „POWER“ (11) und dann auf den „RETURN“-Taster (13). Drehen Sie nun langsam den Umschalthebel (4) auf die Stellung „Return“.
7. Anzeige „RETURN“ (grüne LED) (13a) leuchtet während des Pumpvorgangs.

8. ACHTUNG: ZU BEGINN ODER AM ENDE DES PUMPVORGANGES ENTWEICHT LUFT AUS DER LANZE, WELCHE WOMÖGLICH ZU BLASENBILDUNG UND SPRITZEN FÜHREN KANN.

8.6 Vorzeitiger Abbruch oder Beendigung des Pumpvorgangs

1. Beenden Sie den Pumpvorgang durch Drücken des „RETURN“-Taster (13). Heben Sie nun vorsichtig die Lanze (7) aus dem Öl. Bleiben Sie mit der Lanze (7) über der Fritteuse.
2. Drücken Sie dann den „FILTER“-Taster (12). Drehen Sie den Umschalthebel (4) 2 bis 3 mal auf „Filter“ und anschließend wieder auf „Return“, damit kein Öl oder Fett im System zurück bleibt. Das übrige Öl oder Fett befindet sich dann im Tank und Sie können den Prozess durch erneutes Drücken von „FILTER“ (12) stoppen.
3. Drücken Sie die „POWER“ Taste (11). Die Poweranzeige (rote LED) (11a) muss nun aus sein.
4. Stecken Sie die Lanze (7) zur Aufbewahrung in die Lanzenhalterung (8).
5. Stecken Sie VITO aus.

9. Aufbewahrung / Lagerung

- Stellen Sie VITO **NICHT** in das Kühlhaus/ den Kühlschrank! Kondenswasser kann die Elektronik des Gerätes zerstören!
- Geeignete Umgebungs- / Aufbewahrungstemperatur: +10 bis +35°C

10. Pflege und Wartung

10.1 Wichtige Hinweise



- Reinigen Sie den Tank (18), den Öllevelsensor (25) und den Filterkorb (23) vorsichtig bei jedem Wechsel des Partikelfilters (26).
- Reinigen Sie VITO nur im kalten Zustand.
- Benutzen Sie keine Scheuermittel.
- Benutzen Sie keine Drahtbürste oder Ähnliches.
- Schrauben Sie nicht die Netzleitung ab.

10.2 Reinigung vorbereiten



1. Trennen Sie die Netzleitung von der Steckdose.
2. Stellen Sie sicher, dass VITO abgekühlt ist.
3. Öffnen Sie den Deckel (1).
4. Entnehmen Sie den Filterkorb (23) und entsorgen Sie den Partikelfilter (26) (Siehe 12.2).
5. Reinigen Sie den Filterkorb (23) von Hand oder maschinell.
6. Reinigen Sie die restlichen Teile des Geräts von Hand.

STELLEN SIE SICHER, DASS SIE VITO NACH HACCP VORGABEN ODER DEN VORSCHRIFTEN IHRES LANDES REINIGEN.

10.3 Reinigen von Hand

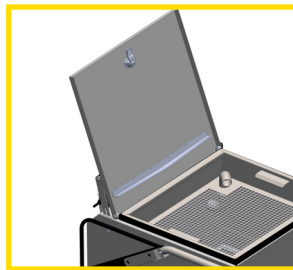
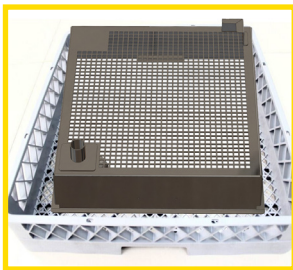


1. Reinigen Sie das Bedienfeld mit einem feuchten Tuch!
Benutzen Sie **KEIN** fließendes Wasser, dies zerstört die Elektrik des Gerätes!
2. Reinigen Sie die restlichen Teile mit Seifenwasser.
3. Filterkorb (23) abbrausen oder einweichen lassen.
4. VITO mit einem Tuch abtrocknen.

10.4 Maschinelle Reinigung



1. Stellen Sie nur den Filterkorb (23) in die Spülmaschine.
2. Starten Sie das Reinigungsprogramm.
3. Bedienfeld nur mit einem feuchten Tuch reinigen!
4. Reinigen Sie den Deckel (1) mit einem feuchten Tuch.



11. Filterwechsel

- Wechseln Sie den Partikelfilter (23) nur bei Bedarf. Der Wechselzyklus richtet sich nach dem Gebrauch von VITO und dem Verschmutzungsgrad des Frittieröls.
- Der Filter muss gewechselt werden, wenn keine Leistung mehr vorhanden oder der Filter voll ist.

Filter leer



Filter voll



Filter muss gewechselt werden

12. Entsorgung

12.1 Entsorgung der Verpackung

- Die Verpackung sollte recycelt werden oder
- bewahren Sie die Verpackung auf.

12.2 Entsorgung der Partikelfilter

- Gebrauchte Filter müssen nach den örtlichen Vorgaben entsorgt werden.

12.3 Entsorgung der Altgeräte (Rücknahmekonzept b2b)

Alle Kunden der VITO AG können sich jederzeit an uns wenden, um bei Bedarf Altgeräte zurückzugeben.

Dies geschieht in der Regel, wenn Geräte und/oder elektronische Platinen defekt sind bzw. wenn Geräte gegen eine neuere Gerätegeneration ausgetauscht werden. Die Geräte werden bei uns entsprechend demontiert und die getrennten Rohstoffe wieder in den Umweltkreis zurückgeführt. Alle elektronischen Komponenten werden über unsere bei ear (Stiftung elektro-altgeräte register®) angegebenen Entsorgungsstellen abgegeben und über die jährliche Mitteilung an ear nachgewiesen.

Senden Sie hierzu VITO an:

VITO AG

Eltastrasse 6
78532 Tuttlingen (Deutschland)

Für weitere Fragen kontaktieren Sie bitte Ihren lokalen Händler oder den VITO AG Kundendienst.

12.4 WEEE (Waste Electrical and Electronic Equipment) Richtlinie

Werfen Sie Elektrowerkzeuge nicht in den Hausmüll! Gemäß der europäischen Richtlinie 2002/96/EG über Elektro- und Elektronikaltgeräte und Ihrer Umsetzung in nationales Recht müssen nicht mehr gebrauchsfähige Elektrowerkzeuge getrennt gesammelt und einer umweltgerechten Wiederverwertung zugeführt werden.

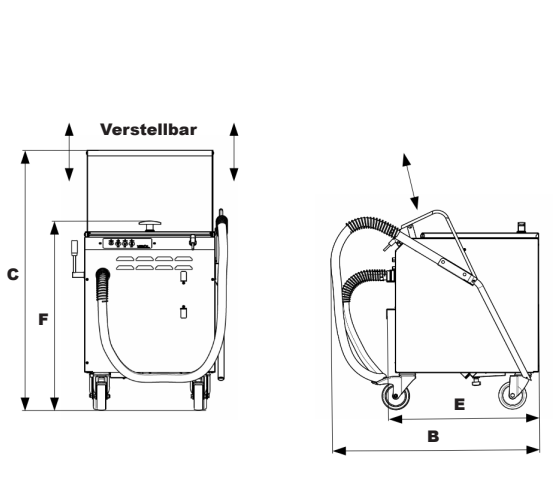
VITO AG erfüllt die Richtlinien zur Produktrücknahme am Ende des Lebenszyklus der mit VITO gekennzeichneten Produkte, die in der EU verkauft wurden. Sie können diese Produkte auch bei lokalen Sammelstellen abgeben.

13. Fehlerbehebung

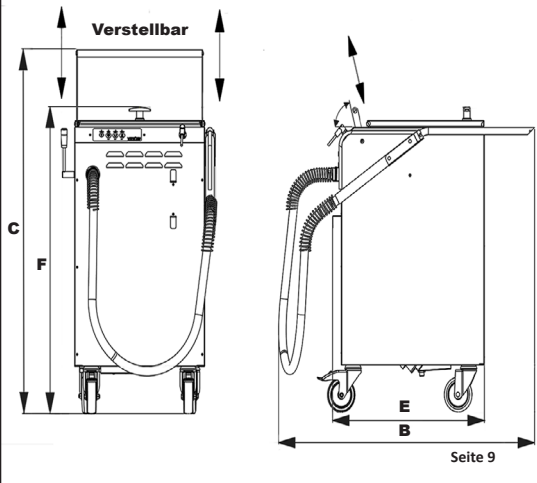
Funktionsstörung	Mögliche Ursache	Abhilfe
Poweranzeige (rote LED) (11a) bleibt inaktiv	<ul style="list-style-type: none"> • Netzkabel (5) nicht eingesteckt • Netzkabel (5) defekt • Sicherung VITO defekt 	<ul style="list-style-type: none"> • Stecken Sie VITO ein • Bitte Service kontaktieren • Bitte Service kontaktieren
VITO ist sehr laut im Betrieb	<ul style="list-style-type: none"> • Pumpe oder Turbine defekt 	<ul style="list-style-type: none"> • Bitte Service kontaktieren
Eine der LEDs leuchtet nicht, Gerät startet trotzdem	<ul style="list-style-type: none"> • LED defekt 	<ul style="list-style-type: none"> • Bitte Service kontaktieren
VITO kann nicht gestartet werden	<ul style="list-style-type: none"> • Steuerung defekt 	<ul style="list-style-type: none"> • Bitte Service kontaktieren
Netz Sicherung / FI-Schutzschalter löst aus	<ul style="list-style-type: none"> • Netzkabel (5) oder andere elektrische Komponenten defekt 	<ul style="list-style-type: none"> • Bitte Service kontaktieren
Geringe Rückpumpleistung	<ul style="list-style-type: none"> • Pumpe verstopft • Pumpe defekt • Schlauch (16) verstopft • Rohr verstopft • Lanze (7) verstopft 	<ul style="list-style-type: none"> • Reinigen • Bitte Service kontaktieren • Reinigen • Reinigen • Reinigen
Kein oder zu wenig Vakuum bzw. Saugleistung	<ul style="list-style-type: none"> • Partikelfilter (26) verstopft • Partikelfilter (26) voll • Filterkorb (23) voll • zu viel Spiel zwischen Deckel und Tank • Schlauch (16) verstopft • Dichtung (27) beschädigt 	<ul style="list-style-type: none"> • Partikelfilter (26) wechseln • Partikelfilter (26) wechseln • Filterkorb (23) leeren • Deckel oder Filterkorb korrekt platzieren • Reinigen • Bitte Service kontaktieren
Partikel im gefilterten Öl	<ul style="list-style-type: none"> • Kein Filter (26) eingelegt • Filter (26) falsch eingelegt 	<ul style="list-style-type: none"> • Filter (26) wie in Anleitung beschrieben einlegen
Kein Aussaugen und Filteranzeige (12a) blinkt und akustisches Signal	<ul style="list-style-type: none"> • Öllevelsensord (25) verschmutzt • Öllevelsensord (25) defekt (Glaspisma prüfen) • Max. Öllevel erreicht • Filterkorb (23) / Filter (26) defekt 	<ul style="list-style-type: none"> • Reinigen • Bitte Service kontaktieren • Pumpen Sie das Öl zurück und versuchen Sie es erneut • Bitte Service kontaktieren
Heizung funktioniert nicht, trotz leuchtender Heizeranzeige (14a)	<ul style="list-style-type: none"> • Heizung defekt • Steuerung defekt 	<ul style="list-style-type: none"> • Bitte Service kontaktieren • Bitte Service kontaktieren
Filteranzeige (12a) leuchtet, aber Turbine funktioniert nicht	<ul style="list-style-type: none"> • Turbine defekt • Steuerung defekt 	<ul style="list-style-type: none"> • Bitte Service kontaktieren • Bitte Service kontaktieren

Sollten Sie hier nicht aufgeführte Störungen feststellen, wenden Sie sich bitte an die VITO Kundenbetreuung oder Ihren Händler! Kontaktdaten finden Sie in Kapitel 2 „Rechtliche Hinweise“.

VITO XS- 40I



VITO XM- 75I



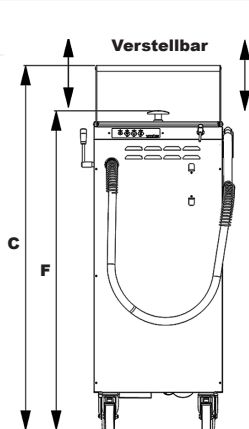
14. Technische Daten

	VITO XS	VITO XM	VITO XL
Nennspannung	Nennspannung länderspezifisch, siehe Typenschild 220 – 240V ~ ±10% 50 – 60Hz 100 – 120V ~ ±10% 50 – 60Hz		
Stromaufnahme	ca. 6,0A bei 220-240V ca. 8,5A bei 100-120V		
Max. Heizleistung	110W		
Max. Betriebstemperatur	200°C		
Turbine: Max. Leistung / Nennleistung	220-240V = 1150 / 1050W 100-120V = 850 / 750W		
Filtrationsleistung	bis zu 30l/min		
Pumpe: Max. Leistung / Nominalleistung	500W/460W		
Pumpleistung	35 l/min		
Gewicht	45,0 kg	55,8 kg	64,0 kg
Akutisches Signal	JA		
Partikelaufnahme (Nominal)	10l/10.7 kg*		
Tankvolumen	40l	75l	120l
Geräuschentwicklung	Bis zu 95dBA*		
Lagertemperatur	+10°C bis +35°C (+50°F bis +95°F)		
Bedienung	Tastaturfolie / Kugelhahn		
Partikelfilter	Material: Zellwolle/-stoff FDA-CFR 21		
Schutzklasse	IP23		
Öllevelsensor Schalterpunkt	40l	75l	120l
Betriebsart	Aussetzbetrieb		

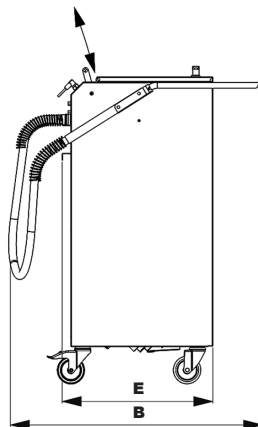
Maße	Komplett			Kompakt		
	Breite A	Tiefe B	Höhe C	Breite D	Tiefe E	Höhe F
VITO XS	555mm	723mm	843mm	470mm	552mm	682mm
VITO XM	555mm	885mm	1044mm	470mm	552mm	886mm
VITO XL	555mm	885mm	1334mm	470mm	552mm	1174mm

*Handelsübliches Paniermehl

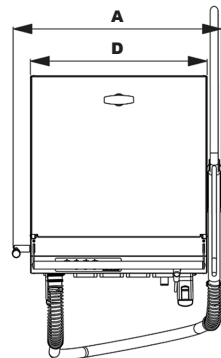
*Laut der europäischen EG-Lärm Richtlinie 2003/10/EG kann mit der VITO X-Serie 30 min pro Tag ohne Gehörschutz filtriert werden (reiner Filtrationsprozess)



VITO XL -120l



VITO XS/XM/XL



15. Konformitätserklärung

Ausgestellt von **VITO AG | Eltastrasse 6 78532 Tuttlingen (Deutschland) | Tel. : +49 (0) 7461 / 96289-0**
Fax : +49 (0) 7461 / 96289-12 | Email: info@vito.ag

Für die Produkte: **VITO X-Serie, International Patent pending**

Die Profi-Frittierölfiltrationssysteme werden nach folgenden Normen hergestellt und geprüft:
Im Sinne der EU Richtlinien:

- 2006/42/EG Maschinenrichtlinie
- 2014/30/EU Elektromagnetische Verträglichkeit
- 2014/35/EU Niederspannungsrichtlinie
- 2011/65/EU RoHS - Richtlinie (Restriction of certain Hazardous Substances)
- 2003/10/EC Mindestvorschriften zum Schutz von Sicherheit und Gesundheit der Arbeitnehmer
- 2012/19/EU Richtlinie für Elektro- und Elektronik-Altgeräte

Auf Grund des Risikos physische Schäden durch Lärm zu erleiden, unterliegen die Filtrationsgeräte der X-Serie den betreffenden Harmonisierungsrechtsvorschriften der Europäischen Union.

- EN 61000-6-1: 2019 Immunität
- EN 61000-6-2: 2019 Immunität
- EN 61000-6-3: 2011-09 Emission
- EN 61000-6-4: 2020-09 Emission

mit Deutschen, Europäischen und Internationalen (Nicht- Europäischen) Standards

Deutscher Standard DIN EN		Europäischer Standard EN		Internationaler Standard IEC (IEC/CISPR)
DIN EN 61000-6-1:2019-11	basiert auf	EN 61000-6-1:2019	basiert auf	IEC 61000-6-1:2016
DIN EN 61000-6-2:2019-11	basiert auf	EN 61000-6-2:2019	basiert auf	IEC 61000-6-2:2016
DIN EN 61000-6-3:2011-09	basiert auf	EN 61000-6-3:2007+A1:2010	basiert auf	IEC 61000-6-3:2006 + A1:2010
DIN EN 61000-6-4:2020-09	basiert auf	EN 61000-6-4:2019	basiert auf	IEC 61000-6-4:2018
DIN EN 61000-3-2:2019-12	basiert auf	EN 61000-3-2:2019	basiert auf	IEC 61000-3-2:2018
DIN EN 61000-3-3:2020-07	basiert auf	EN 61000-3-3:2013+A1:2019	basiert auf	IEC 61000-3-3:2013-05
DIN EN 60335-1:2020-08	basiert auf	EN 60335-1:2012	basiert auf	IEC 60335-1:2010, modified
DIN EN 12100:2011-03	basiert auf	EN 12100:2011-03	basiert auf	ISO 12100:2011-03
DIN EN 60204-1:2019-06	basiert auf	EN 60204-1:2019-06	basiert auf	IEC 60204-1:2016, modified
DIN EN 55014-1:2018-08	basiert auf	EN 55014-1:2018-08	basiert auf	CISPR 14-1:2016 + COR1:2016
DIN EN 55014-2:2016-01	basiert auf	EN 55014-2:2016-01	basiert auf	CISPR 14-2:2015
-	-	VO (EG) Nr. 2023/2006	-	-
-	-	VO (EG) Nr. 1935/2004	-	-
DIN EN 10088-1:2014-12	-	-	-	-
DIN 18876 A1:2018-06	-	-	-	-
DIN 18876 A2:2018-06	-	-	-	-
DIN 18876 A3:2018-06	-	-	-	-
DIN EN 50396:2006-07	-	-	-	-
DIN EN 61003-2:2017-06	-	-	-	-
DIN EN 10095:2018-12	-	-	-	-
DIN EN 10269:2014-02	-	-	-	-
DIN EN 10302:2008-6	-	-	-	-
DIN EN 82079-1:2013-6	-	-	-	-
-	-	2002/72/EG	-	-
ProdSG	basiert auf	2001/95/EG	-	-
LFGB	-	-	-	-
DGUV-Regel 110-002	-	-	-	-



Tuttlingen, 2023
 Andreas Schmidt



CEO
 VITO AG

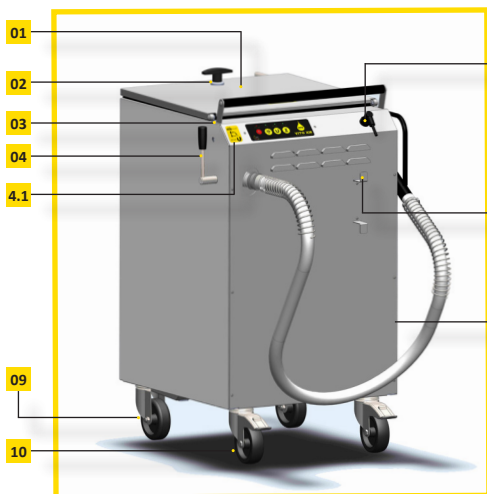


Contenido

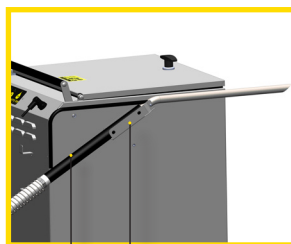
1. VITO serie X - Resumen	2
1.1 Producto VITO serie X	2
1.2 VITO serie X volumen de entrega	3
2. Información legal	3
3. Prefacio	4
4. Notas generales	4
5. Aviso de seguridad / Explicación de símbolos	4
6. VITO serie X	4
6.1 Uso preví	4
6.2 Uso NO previsto	4
7. Preparación antes de usar	5
7.1 Guía de seguridad	5
8. Proceso de filtración	5
8.1 Requerimientos	5
8.2 Notas de operación	6
8.3 Comenzar el proceso de filtración	6
8.4 Terminar la filtración prematuramente	6
8.5 Comenzar el proceso de succión	6
8.6 Terminar el proceso de succión prematuramente	6
9. Almacenamiento	7
10. Cuidado y mantenimiento	7
10.1 Avisos	7
10.2 Preparación de la limpieza	7
10.3 Limpieza manual	7
10.4 Limpieza automática	7
11. Cambio de filtro	8
12. Eliminación de residuos	8
12.1 Eliminación del embalaje	8
12.2 Eliminación del filtro	8
12.3 Eliminación del aparato	8
12.4 Directiva RAEE (Residuos de aparatos eléctricos y electrónicos)	8
13. Solución de problemas	9
14. Especificaciones técnicas	10
15. Declaración de conformidad	11

1. VITO serie X - Resumen

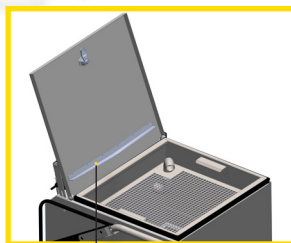
VITO serie X
(in foto VITO XM)



Vista lateral derecha



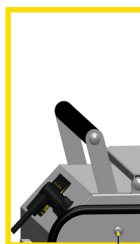
07 08



1.1

1.1 Producto VITO serie X

- 01. Tapa
 - 01.1. Protección de goteo
- 02. Palanca de bloqueo
- 03. Asa frontal (Altura ajustable)
 - 03.1 Tornillo para ajustar la asa (2 uds.)
- 04. Palanca de bola Return / Filter
 - 04.1. Símbolo Filter / Return
- 05. Enchufe
- 06. Sujeción para el cable
- 07. Lanza con manija
- 08. Soporte de lanza
- 09. Ruedas sin bloqueo total (2 uds.)
- 10. Ruedas con bloqueo total (2 uds.)

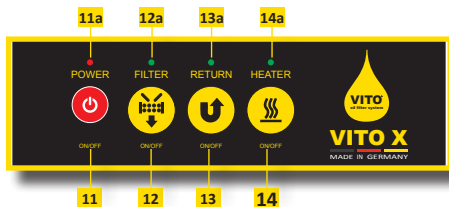


Asa frontal abajo 3.1



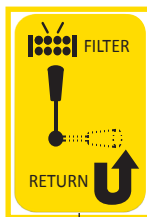
Asa frontal arriba

• Panel de control



- 11. Botón POWER
- 12. Botón FILTER
- 13. Botón RETURN
- 14. Botón HEATER

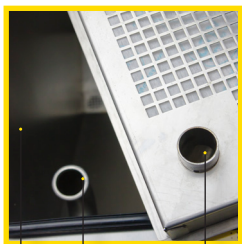
- 11a. Indicador de encendido (LED rojo)
- 12a. Indicador de filtración (LED verde)
- 13a. Indicador de bombeo (LED verde)
- 14a. Indicador de calentamiento (LED verde)



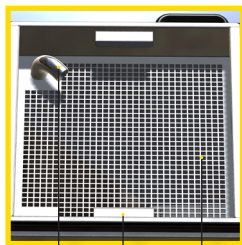
4.1



15 16 17



18 19 20



21 22 23



25 24



26 27



28

1.1 Producto VITO serie X

- 15. Terminal de empalme para manguera (16)
- 16. Lanza con manguera y enganche rápido
- 17. Protección contra doblado
- 18. Tanque
- 19. Conexión
- 20. Abertura inferior (enlace a conexión 19)
- 21. Abertura superior
- 22. Asa de cesto de filtración
- 23. Cesto de filtración
- 24. Tubería de aspiración
- 25. Sensor de nivel de aceite
- 26. Filtro de partículas
- 27. Junta
- 28. Protección contra torsión

1.2 VITO serie X volumen de entrega

- VITO serie X
- Cable
- Manguera con tapón roscado
- Tapa
- Cesto de filtración
- Manual
- Manual de instrucciones breves
- Filtro de partículas 1 pz.
- Llave hexagonal (para asa frontal) (3)

2. Información legal

VITO AG

Eltastrasse 6
78532 Tuttlingen (Alemania)
Phone : +49 (0) 7461 / 96289-0
Fax : +49 (0) 7461 / 96289-12
info@vito.ag
www.vito.ag

Director General:

Andreas Schmidt (MBA, Dipl.-Wirt.Ing)
Sede social: Tuttlingen, Germany
Tribunal de registro: Stuttgart HRB 750227

En cooperación con:

Universidad Albstadt-Sigmaringen (Alemania)
- Ingeniería industrial con formación empresarial -

Jakobstrasse 1
72458 Albstadt (Alemania)
Copyright © VITO AG

Todos los derechos reservados.

Este documento está sujeto a los derechos de autor de VITO AG. Sin el consentimiento previo por escrito de VITO AG, el documento o partes del mismo no podrán ser reproducidos ni utilizados en contra de sus intereses legítimos.

Nos reservamos el derecho a realizar cambios en aras del progreso técnico.

3. Prefacio

Estimado cliente VITO:

Gracias por haber comprado este producto de VITO AG. Por favor, lea este manual atentamente para familiarizarse con el manejo de su VITO oil filter system y para asegurar una utilización adecuada. Para cualquier duda contacte su distribuidor y/o nuestro servicio al cliente, que está a su disposición en cualquier momento.

Agradecemos comentarios y sugerencias con respecto a VITO oil filter system y/o este manual. (Por favor, véase los datos de contacto en este manual).

Esperamos que disfrute de su VITO durante mucho tiempo y que aumente la eficiencia en su establecimiento. Con VITO posee un sistema de filtración con una larga vida útil y un soporte eficiente para su trabajo.

4. Notas generales

Este manual de instrucciones contiene información importante sobre el manejo de la VITO serie X. Por favor, lea esta información atentamente antes de utilizar su VITO. Guarde este manual en un lugar disponible en caso de necesidad. VITO es un sistema de filtración de aceite diseñado para limpiar aceites/grasas/mantecas. Freír contaminará el aceite con partículas quemadas. Con VITO se puede limpiar el aceite directamente desde la freidora. Filtrar con VITO prolonga la vida útil del aceite. Recomendamos filtrar con VITO una o dos veces al día. El filtro de partículas se puede utilizar varias veces antes de cambiarlo. Una vez que el aceite ya no puede ser aspirado o que el cesto donde está metido el filtro está lleno, hay que cambiar el filtro.

Filtros usados se desechan según las normas locales (consulte el capítulo 12.2 Eliminación del filtro).

5. Aviso de seguridad / Explicación de símbolos

El manejo inadecuado de la VITO puede causar accidentes peligrosos y lesiones. Lo siguiente se debe tener en cuenta. Peligros posibles están marcados con estos símbolos:



Advertencia

En caso de incumplimiento, existe riesgo de lesiones graves.



Riesgo de shock eléctrico

Por manejo inadecuado o apertura del aparato.



Advertencia/ Riesgo de daños oculares

Use protección de ojos mientras utiliza la VITO.



Peligro de resbalamiento

si se encuentra aceite en el suelo.



Atención

Información de seguridad importante.



Llevar guantes protectores

Superficies calientes.



Riesgo de quemaduras

para el usuario de la VITO serie X por manejo inadecuado.



Instrucción de manejo

Información de manejo de VITO serie X.



Llevar ropa de protección adecuada.



Riesgo de daño al oído

Para usuarios de VITO serie X.



Clase de seguridad 1

Use VITO serie X solo puesta en tierra.



Llevar zapatos de protección adecuados.

6. VITO serie X

6.1 Uso preví

- VITO está fabricada para el uso en cocinas comerciales.
- Siga las instrucciones de seguridad! La filtración sólo es posible en aceite líquido.
- ¡VITO se debe utilizar sólo por personal formado!
- VITO oil filter system esta diseñado para el uso intermitente.



6.2 Uso NO previsto



¡LA NO OBSERVANCIA DE LOS CONTENIDOS DESCRITOS EN EL MANUAL PUEDE PROVOCAR DAÑOS O MAL FUNCIONAMIENTO DE VITO O PUEDE PRODUCIR LESIONES HUMANAS GRAVES!

- ¡VITO **NO** está aprobada para limpiar/filtrar otros líquidos que aceite/grasa/manteca!
- ¡**NO** utilice o almacene VITO afuera! Lluvia y humedad causarán daños.
- VITO **NO** está fabricada para el uso permanente! Riesgo de sobrecalentamiento/riesgo de incendio.
- ¡**NO** cubra las ranuras de ventilación (6)!
- ¡**NO** toque el enchufe con manos húmedas!
- ¡**NO** doble ni bloquee el cable!
- ¡El uso de VITO para niños está estrictamente prohibido!
- VITO **NO** se debe operar con una conexión que no sea de protección clase I

¡NO ASUMIMOS NINGUNA RESPONSABILIDAD POR USO INDEBIDO!

7. Preparación antes de usar

7.1 Guía de seguridad

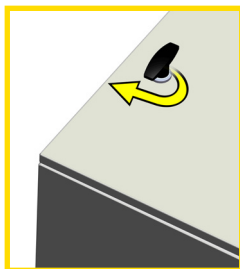
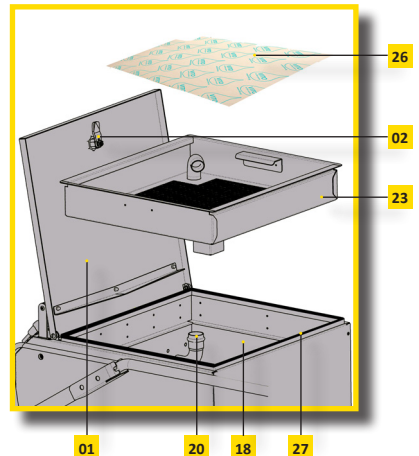


- **NO** use VITO cuando la reciba por primera vez. Espere a que VITO se haya aclimatado.
- Limpie VITO antes de utilizarla la primera vez.
- Asegure que el cable (5) y la manguera (7) estén intactos.
- ¡Asegure que el voltaje local esté conforme con la tensión de la placa característica de VITO!
- **APAGUE LA FREIDORA ANTES DE TRABAJAR CON VITO.**
- **NO DEVUELVA EL ACEITE SIN METER LA LANZA EN LA FREIDORA.**
- ¡NO deje que el cable (5) toque aceite o cosas calientes!
- La temperatura máxima de operación es de 200°C (temperatura de fritura recomendada 175°C).
- ¡NO haga funcionar VITO sin aceite!
- ¡Preste atención a los calentadores, rejillas o sensores térmicos en la freidora!
- ¡Verifique el funcionamiento del sensor de nivel de aceite (25)!
- ¡El sensor (25) puede ser dañado al colocar mal el cesto (23), con la lanza (7) o con otros objetos!
- ¡El prisma de vidrio se dañará debido a mal manejo!
- ¡NO usar si el cable (5) está dañado!
- ¡NO usar si la manguera (7) está dañada!
- ¡El dispositivo estará caliente durante / después del uso y puede causar quemaduras!
- Volumen máximo del tanque de la **VITO XS** 40 litros, **VITO XM** 75 litros, **VITO XL** 120 litros.
- ¡NO use el dispositivo sin cesto de filtración (23)!
- ¡Use VITO solo en superficies rectas!
- ¡Sujete VITO solo por las asas (2),(3)!
- ¡Solo desenrosque el cable en caso de servicio!
- ¡Saque la lanza de la freidora después del proceso de filtración o succión!
- ¡NO use VITO sin haber cerrado la tapa!
- Puede trabajar con VITO serie X durante 30 minutos al día sin protección auditiva.
- ¡NO mueva VITO con la tapa (1) abierta!
- ¡NO mueva VITO durante el proceso de filtrado!

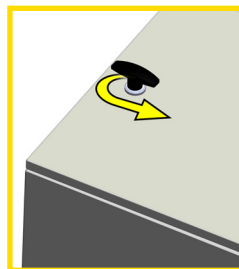
8. Proceso de filtración

8.1 Requerimientos

1. Inserte el cesto de filtración (23) en el tanque (18). La abertura inferior (20) debe encajar con la conexión (19) del tanque (18).
 2. Coloque el filtro de partículas (26) en el cesto (23) (Véase capítulo 11 cambio de filtro).
 3. Verifique si el cesto de filtración (23) cubre la junta (27) por completo. Cierre la tapa (1) con la palanca de bloqueo (2).
 4. Asegúrese que el tapón roscado de la manguera (16) encaje bien.
 5. Apague la freidora e inicie la filtración.
- No será posible operar sin el cesto de filtración (23) bien colocado y sin la tapa (1) cerrada.



La tapa está bien cerrada



La tapa está abierta

8.2 Notas de operación

- **APAGUE SU FREIDORA ANTES DE TRABAJAR CON VITO.**
- El proceso de filtración se puede interrumpir en cualquier momento al pulsar el botón POWER (11).
- **¡NO MUEVA VITO DURANTE LA FILTRACIÓN!**
- ¡NO use VITO en posición inclinada!
- ¡NO use VITO sin cesto de filtración! El aparato puede ser dañado!
- ¡NO use VITO sin haber cerrado bien la tapa (1)!
- Por razones de seguridad, VITO finaliza el proceso de bombeo / filtrado automáticamente después de 5 minutos.
- Por razones de seguridad, VITO apaga automáticamente el calentador después de 30 minutos.
- Durante la operación, el indicador encendido (11a) y el indicador de filtración (12a) o el indicador de bombeo (13a) se encienden.

VITO serie X proceso de filtración

8.3 Comenzar el proceso de filtración



1. Apague su freidora.
2. Coloque VITO de forma segura junto a la freidora, bloquee las dos ruedas con los frenos (10).
3. Enchufe su VITO => el ventilador arrancará.
4. Coloque la lanza (7) en la freidora y asegure una sujeción estable.
5. Ponga la palanca de bola (4) en "FILTER", presione el botón POWER (11) y luego el botón FILTER (12).
6. El indicador de filtración (LED verde) (12a) está encendido durante la filtración.
7. Cuando se alcanza el nivel máximo en el depósito (18), VITO desconecta automáticamente la filtración. El indicador de filtración (LED verde) (12a) parpadea y se escucha una señal acústica.
8. Meta la lanza (7) al soporte (8).

8.4 Terminar la filtración prematuramente



1. Saque la lanza (7) inmediatamente del aceite.
2. Deje que la filtración continúe durante 10 segundos.
3. Presione el botón POWER (11) el indicador de encendido (LED roja) debe estar apagado (11a).
4. Meta la lanza (7) al soporte (8).
5. Desenchufe VITO.

8.5 Comenzar el proceso de succión



1. Apague su freidora.
2. Coloque VITO de forma segura junto a la freidora, bloquee las dos ruedas con los frenos (10).
3. Enchufe su VITO => el ventilador arrancará.
4. Si está usando grasa en lugar de aceite líquido, presione el botón HEATER (14). El indicador de calentamiento (LED verde) (14a) debe estar encendido. Espere hasta que la grasa esté líquida.
5. Coloque la lanza (7) en la freidora y asegure una sujeción estable.
6. Pulse POWER (11) y luego el botón RETURN (13). Ahora gire lentamente la palanca del interruptor (4) a la posición "RETURN".
7. El indicador de bombeo (LED verde) (13a) está encendido durante el proceso de succión.

ATENCIÓN: AL COMIENZO O AL FINAL DEL PROCESO DE BOMBEO FUGARÁ AIRE DE LA LANZA; CUAL PUEDE SALPICAR O CAUSAR AMPOLLAS.

8.6 Terminar el proceso de succión prematuramente

1. Finalice el proceso de bombeo pulsando el botón "RETURN" (13). Ahora levante con cuidado la lanza (7) para sacarla del aceite. Mantenga la lanza (7) sobre la freidora.
2. Presione el botón FILTER (12), ponga la palanca de bola (4) en "FILTER" y luego ponga la palanca en "RETURN" (4).
Sugerencia: Haga este proceso 2 o 3 veces para asegurarse de que el sistema esté libre de aceite o grasa. El aceite o grasa restantes estarán en el tanque y usted podrá detener el proceso presionando FILTER una vez más.
3. Presione el botón POWER (11). El indicador de encendido (LED roja) (11a) debe estar apagado.
4. Meta la lanza (7) en el soporte (8).
5. Desenchufe VITO.

9. Almacenamiento



- ¡NO meta VITO a su refrigerador! Agua condensada puede dañar la electrónica del aparato!
- Temperatura de ambiente / de conservación :+10 hasta +35°C (+50°F hasta +95°F).

10. Cuidado y mantenimiento

10.1 Avisos



- Desconecte VITO.
Limpie el tanque (18), el sensor (25) y el cesto (23) con cuidado cada vez que cambie el filtro de partículas (26).
- Limpie VITO solo cuando esté fría.
- NO use abrasivos.
- NO use cepillos metálicos o algo similar.
- ¡Solo desenrosque el cable en caso de servicio!

10.2 Preparación de la limpieza



1. Desconecte VITO.
2. Asegúrese de que VITO esté fría.
3. Abra la tapa (1).
4. Descarte el filtro de partículas (26) (Véase punto 12.2).
5. Limpieza manual o automática del cesto de filtración (23).
6. Limpie el resto del aparato a mano.

ASEGÚRESE DE LIMPIAR VITO CONSIDERANDO LAS NORMAS DE APPCC O EL REGLAMIENTO DE SU PAÍS.

10.3 Limpieza manual

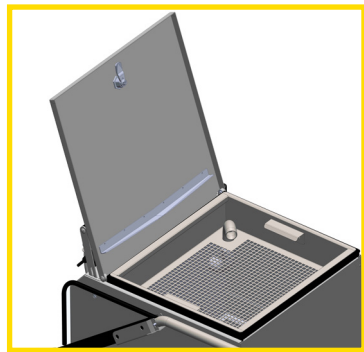
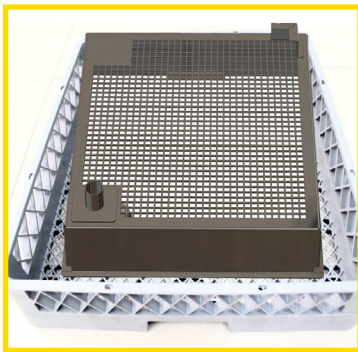


1. ¡Limpie el panel de control con un paño húmedo!
¡NO use agua corriente, dañará la electrónica del aparato!
2. Limpie el resto con agua jabonosa.
3. Lavar la cesta del filtro (23).
4. Seque VITO con un trapo.

10.4 Limpieza automática



1. Meta el cesto de filtración (23) al lavavajillas.
2. Inicie el programa de lavado.
3. ¡Limpie el panel de control solo con un paño húmedo!
4. Limpie la tapa con un paño húmedo.



11. Cambio de filtro

- Cambie el filtro de partículas (26) en caso necesario. El intervalo de cambio depende del uso de VITO y las partículas que tiene en su aceite.
- El filtro se debe cambiar cuando el aparato no rinda más o el filtro esté lleno.

Filtro nuevo y vacío



Filtro lleno



Hay que cambiar el filtro

12. Eliminación de residuos

12.1 Eliminación del embalaje

- El embalaje debería ser reciclado
o
- guarde le embalaje.

12.2 Eliminación del filtro

- El filtro usado debe ser eliminado según las especificaciones de su país.

12.3 Eliminación del aparato

Al fin de su vida útil, VITO se deberá eliminar de acuerdo con los reglamentos aplicables. Esta eliminación se encuentra como la defina la ley bajo la responsabilidad de VITO AG. Devuelva VITO a:

VITO AG

Eltastrasse 6
78532 Tuttlingen (Alemania)

Si tiene preguntas adicionales, contacte su distribuidor o el servicio al cliente de VITO AG.

12.4 Directiva RAEE (Residuos de aparatos eléctricos y electrónicos)

Para proteger el medio ambiente y como ambientalista, VITO AG quiere informarle que: Según la Unión Europea ("UE"), la Directiva de la Unión Europea 2002/96/CE sobre residuos de aparatos eléctricos y electrónicos (también conocida como "Directiva RAEE"), 13 de agosto de 2005, "aparatos eléctricos y electrónicos" no pueden ser desechados como desecho municipal y fabricantes de equipo electrónico son obligados a aceptar la devolución de estos productos al final de su vida útil.

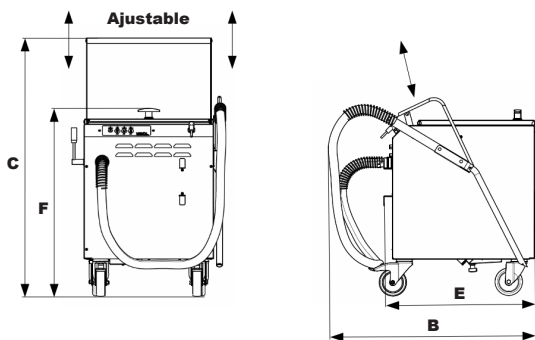
VITO AG va a cumplir con estos requerimientos y va a aceptar la devolución de los productos de la marca VITO vendidos dentro de la UE. Puede devolver estos productos al punto de recogida de su municipio.

13. Solución de problemas

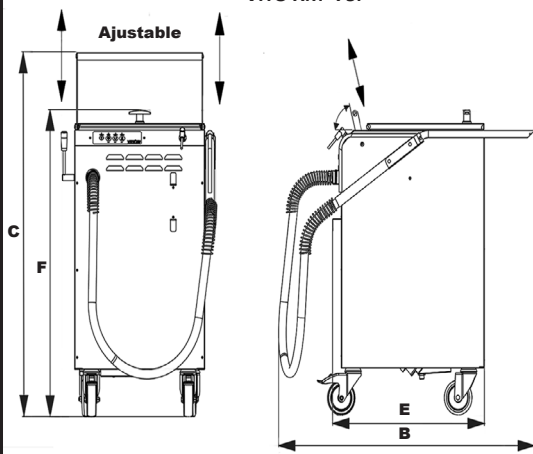
Error	Causa posible	Acción correctiva
Indicador de encendido (LED roja) se queda inactivo	<ul style="list-style-type: none"> Cable (5) no está enchufado Cable (5) está defectuoso Fusible de VITO está defectuoso 	<ul style="list-style-type: none"> Enchufe VITO Por favor contacte el servicio al cliente Por favor contacte el servicio al cliente
VITO hace mucho ruido durante la filtración	<ul style="list-style-type: none"> Bomba o turbina están defectuosas 	<ul style="list-style-type: none"> Por favor contacte el servicio al cliente
Una de las LED no destella, VITO aún se pueda encender	<ul style="list-style-type: none"> LED está defectuosa 	<ul style="list-style-type: none"> Por favor contacte el servicio al cliente
VITO no se deja encender	<ul style="list-style-type: none"> Control defectuoso 	<ul style="list-style-type: none"> Por favor contacte el servicio al cliente
Fusible de red eléctrica/interruptor de circuito se activa	<ul style="list-style-type: none"> Cable (5) u otro dispositivo electrónico piezas defectuosas 	<ul style="list-style-type: none"> Por favor contacte el servicio al cliente
Bajo rendimiento de bombeo	<ul style="list-style-type: none"> Bomba está atorada Bomba está defectuosa Manguera está atorada Tubo está atorado Lanza está atorada 	<ul style="list-style-type: none"> Limpie la bomba Por favor contacte el servicio al cliente Limpie la manguera Limpie el tubo Limpie la lanza
Bajo rendimiento de succión	<ul style="list-style-type: none"> Filtro está atorado Filtro está lleno Cesto está lleno Mucho espacio entre tapa y tanque Manguera está atorada Sellado dañado 	<ul style="list-style-type: none"> Cambie el filtro (26) Cambie el filtro (26) Vacíe el cesto de filtración (23) Coloque la tapa (1) correctamente Limpie la manguera Por favor contacte el servicio al cliente
Partículas en aceite filtrado	<ul style="list-style-type: none"> No hay filtro (26) puesto Filtro puesto incorrectamente 	<ul style="list-style-type: none"> Coloque el filtro como descrito en las instrucciones
No hay succión, indicador de filtración parpadea e señal acústica	<ul style="list-style-type: none"> Sensor está sucio Sensor está defectuoso Nivel de aceite máximo alcanzado Cesto de filtración / filtro están defectuosos 	<ul style="list-style-type: none"> Limpie el aparato Por favor contacte el servicio al cliente Devuelva el aceite y vuelve a intentarlo. Reemplace el filtro por uno nuevo Por favor contacte el servicio al cliente
Calefacción no funciona, indicador de calentamiento (14a) destella	<ul style="list-style-type: none"> Calefacción está defectuosa Control defectuoso 	<ul style="list-style-type: none"> Por favor contacte el servicio al cliente Por favor contacte el servicio al cliente
Indicador de filtración (12a) destella, turbina no funciona	<ul style="list-style-type: none"> Turbina está defectuosa Control defectuoso 	<ul style="list-style-type: none"> Por favor contacte el servicio al cliente Por favor contacte el servicio al cliente

Si nota otras averías que faltan aquí, por favor póngase en contacto con nuestro servicio al cliente o con nuestro representante local! Detalles de contacto: consulte capítulo 2 Información legal.

VITO XS- 40I



VITO XM- 75I



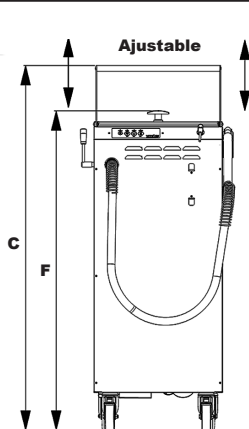
14. Especificaciones técnicas

	VITO XS	VITO XM	VITO XL
Voltaje nominal	Voltaje nominal según país, véase placa de identificación 220 - 240V ~ ±10% 50 - 60Hz 100 - 120V ~ ±10% 50 - 60Hz		
Corriente nominal bajo carga	aprox. 6,0A a 220-240V aprox. 8,5A a 100-120V		
Potencia calorífica máx.	110W		
Temp.durante operación	max. 200°C/ 392°F		
Turbina: potencia máx. / potencia nominal	220-240V = 1150 / 1050W 100-120V = 850 / 750W		
Poder de filtración	hasta 30 l/min (66 lbs/min)		
Bomba: potencia máx. / potencia nominal	500W/460W		
Poder de bombeo	35 l/min (77lbs /min)		
Peso	45,0 kg (100 lbs)	55,8 kg (123 lbs)	64,0 kg (141 lbs)
Señal acústica	Si		
Captación de partículas	10.7 kg / 23.6 lbs* (10l)		
Volumen de tanque	40 l (73 lbs)	75 l (137 lbs)	120 l (220 lbs)
Nivel del ruido	hasta 95dBA*		
Temperatura de almacenaje	+10°C hasta 35°C (+50°F hasta +95°F)		
Control de usuario	Panel de control / Palanca de bola		
Filtro de recambio	Material: celulosa FDA-CFR 21		
Clase de protección	IP23		
Activación del sensor de nivel de aceite	40 l (73 lbs)	75 l (137 lbs)	120 l (220 lbs)
Modo d'uso	Operación intermitente		

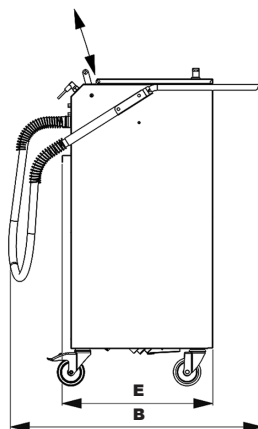
Dimensiones	Completo			Compacto		
	Ancho A	Fondo B	Altura C	Ancho D	Fondo E	Altura F
VITO XS	555 mm / 21.8 in	723 mm / 28.5 in	843 mm / 33.2 in	470 mm / 18.5 in	552 mm / 21.7 in	682 mm / 26.9 in
VITO XM	555 mm / 21.8 in	885 mm / 34.8 in	1044 mm / 41.1 in	470 mm / 18.5 in	552 mm / 21.7 in	886 mm / 34.9 in
VITO XL	555 mm / 21.8 in	885 mm / 34.8 in	1334 mm / 52.5 in	470 mm / 18.5 in	552 mm / 21.7 in	1174 mm / 46.2 in

*Pan rallado comercial

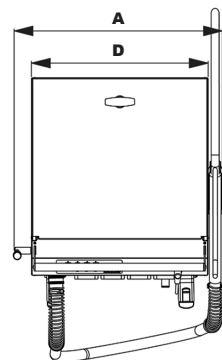
*Según la directiva europea 2003/10/CE está permitido trabajar con VITO serie X hasta 30 minutos por día sin protección auditiva



VITO XL -120l



VITO XS/XM/XL



15. Declaración de conformidad

Emitido por VITO AG | Eltastrasse 6 78532 Tuttlingen (Alemania) | Phone : +49 (0) 7461 / 96289-0
 Fax : +49 (0) 7461 / 96289-12 | Email: info@vito.ag

Para el producto: VITO serie X, International Patent pending

Los sistemas profesionales de filtración de aceite para freír se fabrican y prueban de acuerdo con las siguientes normas:

De acuerdo con las Directivas de la UE:

- 2006/42/EG Directiva sobre máquinas
- 2014/30/EU Compatibilidad electromagnética
- 2014/35/EU Directiva de baja tensión
- 2011/65/EU Directiva RoHS (Restricción de determinadas sustancias peligrosas)
- 2003/10/EC Requisitos mínimos de salud y seguridad para los trabajadores
- 2012/19/EU Directiva sobre residuos de aparatos eléctricos y electrónicos

El riesgo de efectos físicos (ruido) de los sistemas de filtración VITO serie X cumplen con la legislación comunitaria de armonización de la Unión Europea.

- EN 61000-6-1: 2019 Inmunidad
- EN 61000-6-2: 2019 Inmunidad
- EN 61000-6-3: 2011-09 Emisión
- EN 61000-6-4: 2020-09 Emisión

con las normas alemanas, europeas e internacionales (no europeas)

Norma alemana DIN EN		Norma europea EN		Norma internacional IEC (IEC/CISPR)
DIN EN 61000-6-1:2019-11	basado en	EN 61000-6-1:2019	basado en	IEC 61000-6-1:2016
DIN EN 61000-6-2:2019-11	basado en	EN 61000-6-2:2019	basado en	IEC 61000-6-2:2016
DIN EN 61000-6-3:2011-09	basado en	EN 61000-6-3:2007+A1:2010	basado en	IEC 61000-6-3:2006 + A1:2010
DIN EN 61000-6-4:2020-09	basado en	EN 61000-6-4:2019	basado en	IEC 61000-6-4:2018
DIN EN 61000-3-2:2019-12	basado en	EN 61000-3-2:2019	basado en	IEC 61000-3-2:2018
DIN EN 61000-3-3:2020-07	basado en	EN 61000-3-3:2013+A1:2019	basado en	IEC 61000-3-3:2013-05
DIN EN 60335-1:2020-08	basado en	EN 60335-1:2012	basado en	IEC 60335-1:2010, modified
DIN EN 12100:2011-03	basado en	EN 12100:2011-03	basado en	ISO 12100:2011-03
DIN EN 60204-1:2019-06	basado en	EN 60204-1:2019-06	basado en	IEC 60204-1:2016, modified
DIN EN 55014-1:2018-08	basado en	EN 55014-1:2018-08	basado en	CISPR 14-1:2016 + COR1:2016
DIN EN 55014-2:2016-01	basado en	EN 55014-2:2016-01	basado en	CISPR 14-2:2015
-	-	VO (EG) No. 2023/2006	-	-
-	-	VO (EG) No. 1935/2004	-	-
DIN EN 10088-1:2014-12	-	-	-	-
DIN 18876 A1:2018-06	-	-	-	-
DIN 18876 A2:2018-06	-	-	-	-
DIN 18876 A3:2018-06	-	-	-	-
DIN EN 50396:2006-07	-	-	-	-
DIN EN 61003-2:2017-06	-	-	-	-
DIN EN 10095:2018-12	-	-	-	-
DIN EN 10269:2014-02	-	-	-	-
DIN EN 10302:2008-6	-	-	-	-
DIN EN 82079-1:2013-6	-	-	-	-
-	-	2002/72/EG	-	-
ProdSG	basado en	2001/95/EG	-	-
LFGB	-	-	-	-
DGUV-Rule 110-002	-	-	-	-

Tuttlingen, 2023
 Andreas Schmidt



CEO
 VITO AG



Contenuti

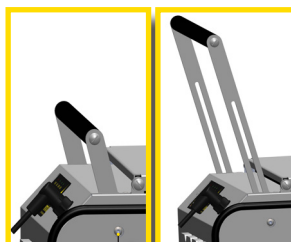
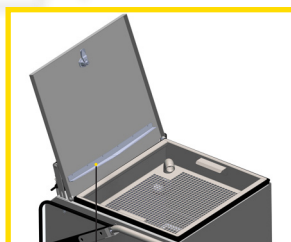
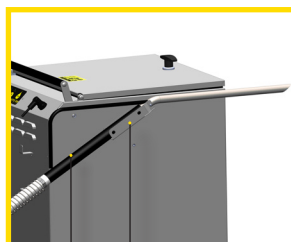
1. VITO X-Serie – Panoramica	2
1.1 Descrizione VITO X-Serie	2
1.2 VITO X-Serie contenuto dell'imballo	3
2. Note legali	3
3. Introduzione	4
4. Informazioni generali	4
5. Indicazioni di sicurezza / Simboli e segnali	4
6. VITO X-Serie utilizzo	4
6.1 Utilizzo corretto	4
6.2 Utilizzo NON corretto	4
7. Operazioni preliminari	5
7.1 Indicazioni di sicurezza	5
8. Procedura di filtraggio	5
8.1 Indicazioni importanti	5
8.2 Indicazioni d'uso	6
8.3 Avvio della procedura di filtraggio	6
8.4 Interrompere anzitempo la procedura di filtraggio	6
8.5 Iniziare procedura di re-immissione/ritorno olio	6
8.6 Interrompere anzitempo/terminare la procedura di ritorno olio	7
9. Mantenimento X-Serie	7
10. Pulizia	7
10.1 Indicazioni importanti	7
10.2 Prima del lavaggio	7
10.3 Pulizia manuale	7
10.4 Pulizia cestello in lavastoviglie	7
11. Sostituzione filtro	8
12. Smaltimento	8
12.1 Smaltimento dell'imballo	8
12.2 Smaltimento filtro in cellulosa	8
12.3 Smaltimento dei vecchi dispositivi	8
12.4 Direttiva RAEE (Rifiuti di Apparecchiature Elettriche ed Elettroniche)	8
13. Problemi e soluzioni	9
14. Informazioni tecniche	10
15. Dichiarazione di conformità	11

1. VITO X-Serie – Panoramica

VITO X-Series
(in foto VITO XM)



Vista lato destro



1.1 Descrizione VITO X-Serie

- 01. Coperchio
 - 1.1. Lamiera salvagoccia
- 02. Maniglia chiusura coperchio filtro
- 03. Maniglia frontale (regolabile in altezza)
 - 3.1 Viti bloccaggio maniglia frontale (entrambi i lati)
- 04. Leva di comando Filtraggio/Ritorno
 - 4.1. Etichetta posizione leva Filtraggio/Ritorno
- 05. Connettore per cavo alimentazione
- 06. Staffa avvolgi cavo
- 07. Lancia con maniglia
- 08. Supporto lancia
- 09. Ruote girevoli senza freno (2 pz)
- 10. Ruote girevoli con freno (2 pz)

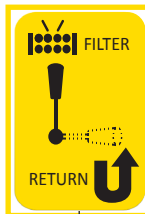
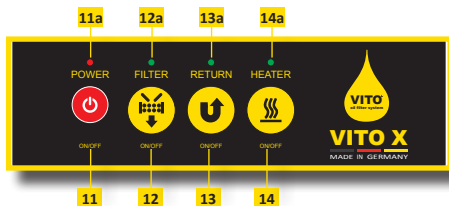
1.1

3.1

Maniglia frontale abbassata

Maniglia frontale alzata

• Pannello comandi

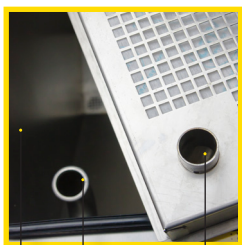


4.1

- 11. Tasto POWER
- 12. Tasto FILTER
- 13. Tasto ritorno olio (RETURN)
- 14. Tasto riscaldamento (HEATER)
- 11a. LED alimentazione (LED rosso)
- 12a. LED filtraggio (LED verde)
- 13a. LED ritorno olio (LED verde)
- 14a. LED riscaldamento (LED verde)



15 16 17



18 19 20



21 22 23



25 24



26 27



28

1.1 Descrizione VITO X-Serie

- 15. Attacco per lancia (16)
- 16. Tubo lancia con attacco rapido
- 17. Spirale anti piega
- 18. Serbatoio
- 19. Innesto di collegamento per cestello
- 20. Raccordo cestello portafiltro – parte inferiore (collegamento all’innesto 19)
- 21. Condotto cestello portafiltro – parte superiore
- 22. Maniglie cestello portafiltro
- 23. Cestello portafiltro
- 24. Aspirazione aria per turbina (interno serbatoio)
- 25. Sensore livello olio (interno serbatoio)
- 26. Filtro in cellulosa
- 27. Guarnizione
- 28. Fermo di posizionamento del cestello

1.2 VITO X-Serie contenuto dell’imballo

- VITO X-Serie
- Cavo alimentazione
- Lancia con tubo e innesto rapido
- Cestello portafiltro
- Manuale d’uso
- Istruzioni in breve
- Filtro di ricambio – 1 pz
- Chiave a brugola (per maniglia frontale regolabile)(3)

2. Note legali

VITO AG

Eltastrasse 6
78532 Tuttlingen (Germany)
Phone : +49 (0) 7461 / 96289-0
Fax : +49 (0) 7461 / 96289-12
info@vito.ag
www.vito.ag

CEO:

Andreas Schmidt (MBA, Dipl.-Wirt.Ing)
Sede azienda: Tuttlingen, Germany
Tribunale regionale: Stuttgart HRB 750227

In cooperazione con:
Università Albstadt-Sigmaringen
(Germany)
- Facoltà di Ingegneria Industriale -

Jakobstrasse 1
72458 Albstadt (Germany)
Copyright © VITO AG

Questo documento è protetto da copyright di VITO AG. E' vietata qualsiasi riproduzione e/o copia del presente documento, in parte o per intero, senza l'autorizzazione scritta da parte della VITO AG. La VITO AG si riserva il diritto di apportare modifiche e integrazioni in base allo sviluppo tecnico dei prodotti.

3. Introduzione

Gentile cliente VITO,

La ringraziamo per aver scelto un prodotto della gamma VITO AG.

Preghiamo di leggere con attenzione il libretto istruzioni per un uso corretto e sicuro del dispositivo e per ottenere i migliori risultati di filtraggio. Per ulteriori informazioni e/o chiarimenti rivolgersi al vostro rivenditore di fiducia oppure al Servizio clienti (recapiti nell'apposita sezione).

Saremmo lieti di ricevere commenti e/o suggerimenti riguardanti il sistema di filtraggio olio VITO e il relativo manuale d'uso (troverete i nostri recapiti nel relativo capitolo di questo manuale).

Ci auguriamo che possiate usufruire a lungo e con soddisfazione del sistema di filtraggio olio VITO nello svolgimento della vostra attività. VITO è un sistema di filtraggio olio di alta qualità con il quale è possibile ottenere un efficiente e durevole aiuto nella vostra cucina professionale.

4. Informazioni generali

Il presente manuale contiene importanti informazioni sull'utilizzo del sistema di filtraggio olio VITO X-Serie.

Vi preghiamo di leggere attentamente il manuale d'uso per familiarizzare con i comandi e le funzioni del vostro sistema di filtraggio per olio VITO, per assicurarvi un utilizzo corretto.

Tenete sempre il manuale a portata di mano per una rapida consultazione in caso di bisogno.

VITO è un sistema di filtraggio che consente la pulizia dell'olio/grasso di frittura. Il processo di frittura contamina e deteriora l'olio rilasciando particelle carbonizzate.

Con VITO l'olio potrà essere filtrato/pulito a temperatura d'esercizio e direttamente in cucina. Il filtraggio con VITO prolunga la durata della vita media dell'olio.

Raccomandiamo il filtraggio con VITO una o due volte al giorno.

Il filtro in cellulosa VITO può essere utilizzato più volte prima della sostituzione.

Il filtro in cellulosa va sostituito quando l'olio non viene più aspirato o quando il cestello è saturo di residui (vedere il capitolo 12.2 Smaltimento filtro in cellulosa).

5. Indicazioni di sicurezza / Simboli e segnali

L'errato utilizzo di VITO X-Serie può causare pericoli e infortuni. Prestare attenzione alle seguenti precauzioni/avvertenze.

Precauzioni ed avvertenze saranno evidenziate dai seguenti simboli d'avvertimento:



Attenzione

Pericolo di infortuni in caso non venga rispettato quanto indicato.



Rischio di scariche elettriche
per uso non corretto o in caso di rimozione delle lamiere esterne.



Attenzione / Rischio di lesioni agli occhi

Proteggere gli occhi con dispositivi idonei durante l'utilizzo di VITO.



Pericolo di cadute

per presenza di gocce d'olio sul pavimento



Attenzione

importanti avvisi di sicurezza.



Utilizzare guanti protettivi

Superfici bollenti. Necessari guanti protettivi resistenti al calore.



Rischio di ustioni

per l'operatore in caso di utilizzo non corretto di VITO.



Istruzioni operative

Informazioni pratiche sul corretto utilizzo di VITO.



Dispositivi di protezione individuale

Indossare abiti protettivi.



Disturbi all'udito

per l'operatore di VITO X-Serie.



Classe 1 di protezione

Utilizzare VITO solamente con impianti elettrici con messa a terra e differenziale!



Indossare scarpe anti-infortunistiche.

6. VITO X-Serie utilizzo

6.1 Utilizzo corretto



- VITO è adatto all'utilizzo nelle cucine professionali e industriali.
- Prestare attenzione alle indicazioni di sicurezza! Il filtraggio è consentito solo con olio allo stato liquido.
- VITO deve essere utilizzato solo da personale appositamente istruito!

6.2 Utilizzo NON corretto



LA MANCATA OSSERVANZA DELLE PROCEDURE DESCRITTE NEL MANUALE PUO' PORTARE A DANNI O MALFUNZIONAMENTI DI VITO OPPURE PUO' PROVOCARE LESIONI GRAVI!!!

- VITO NON è adatto al filtraggio di altri liquidi al di fuori di olio/grasso di frittura!
- NON usare o conservare VITO in luoghi all'aperto! Pioggia, umidità e basse temperature danneggiano il dispositivo!
- VITO NON è progettato per un uso continuativo senza pause! Rischio di surriscaldamento/pericolo d'incendio!
- NON coprire/ostruire le feritoie di raffreddamento!
- **NON** toccare il cavo ed il connettore elettrico con le mani bagnate!

- **NON** piegare o schiacciare il cavo elettrico!
 - **È ASSOLUTAMENTE VIETATO** l'utilizzo di VITO da parte di bambini!
 - VITO deve essere utilizzato solo con impianti elettrici di Classe 1 (con messa a terra e differenziale).
- Si esclude qualsiasi tipo responsabilità per un utilizzo non corretto del dispositivo!**

7. Operazioni preliminari

7.1 Indicazioni di sicurezza



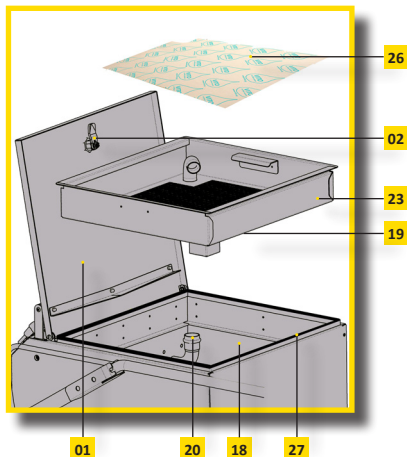
- NON utilizzare VITO immediatamente dopo aver sballato il dispositivo. Prima di accenderlo aspettare che VITO raggiunga la temperatura ambiente.
- Pulire VITO prima del primo utilizzo.
- Assicurarsi che il cavo di alimentazione (5) e il tubo della lancia (7) non siano danneggiati.
- Accertarsi che la tensione di alimentazione corrisponda a quella indicata sulla targhetta identificativa di VITO!
- **SPERGERE LA FRIGGITRICE PRIMA DI INIZIARE IL FILTRAGGIO CON VITO!**
- **ATTENZIONE: INSERIRE LA LANCIA NELLA FRIGGITRICE PRIMA DI RE-IMMETTERE L'OLIO (RETURN)!**
- Il cavo elettrico **NON** venga a contatto con olio o con superfici/oggetti bollenti!
- Temperatura max di utilizzo 200° (temperatura di frittura consigliata 175° C).
- **NON** far funzionare a secco (senza olio) VITO!
- Fare attenzione alle resistenze, agli scambiatori del gas, alle sonde ed ai cestelli/retine nelle friggitrici!
- Verificare il funzionamento del sensore di livello olio (25)!
- Il sensore di livello può venire danneggiato inserendo in modo errato il cestello portafiltro (23), la lancia (7) o altri oggetti! Se il prisma è danneggiato l'olio può traboccare dal serbatoio!
- **NON** utilizzare VITO con cavo elettrico (5) danneggiato!
- **NON** utilizzare VITO con il tubo in silicone danneggiato!
- Il dispositivo durante e dopo il filtraggio è bollente: pericolo di ustioni!
- Volume massimo serbatoio: 45 litri **VITO XS** / 75 litri **VITO XM** / 120 litri **VITO XL**.
- ATTENZIONE: **ASSOLUTAMENTE NON** azionare VITO senza il cestello del filtro! Pericolo di danni strutturali.
- Utilizzare VITO solo su superfici orizzontali!
- Maneggiare VITO solo tramite le apposite maniglie (2, 3)!
- **NON** scollegare il cavo elettrico.
- Estrarre la lancia dalla friggitrice (7) una volta terminato il filtraggio e/o re-immissione dell'olio!
- **NON** utilizzare VITO senza aver chiuso il coperchio (1)!
- E' permesso l'uso di VITO X-Serie per 30 minuti al giorno senza utilizzare dispositivi di protezione acustica (tempo effettivo di filtraggio).
- **NON** spostare VITO con il coperchio (1) aperto.
- **NON** spostare VITO durante il filtraggio.

8. Procedura di filtraggio

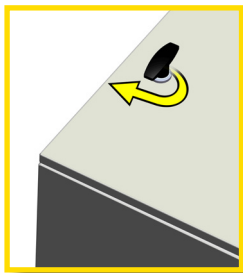
8.1 Indicazioni importanti



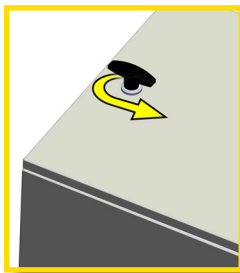
1. Collocare il cestello portafiltro (23) all'interno del serbatoio (18). Incastrare il raccordo del cestello (20) nell'innesto di collegamento (19) che si trova all'interno del serbatoio (18).
2. Inserire il filtro in cellulosa (26) nel cestello portafiltro (23) (vedere il capitolo 11 Sostituzione filtro).
3. Controllare che il cestello portafiltro (23) copra per intero tutto il perimetro della guarnizione (27).
4. Chiudere il coperchio (1) con l'apposita maniglia di bloccaggio (2).
5. Assicurarsi che il tubo della lancia con innesto rapido (16) sia correttamente collegato all'attacco per lancia (15).



- Il dispositivo non funziona correttamente se il cestello portafiltro (23) non è posizionato nella sua sede o se il coperchio (1) non è chiuso con la maniglia: non si crea il necessario effetto sottovuoto.



Maniglia/coperchio chiuso



Maniglia/coperchio aperto

8.2 Indicazioni d'uso



- **SPEGNERE LA FRIGGITRICE PRIMA DI INIZIARE IL FILTRAGGIO CON VITO.**
- Il filtraggio e la re-immissione dell'olio possono essere interrotti in qualsiasi momento premendo il pulsante "POWER" (11).
- **NON spostare VITO durante il filtraggio!**
- **NON** utilizzare VITO su superfici inclinate!
- **NON** utilizzare VITO senza il cestello portafiltro! Il dispositivo può subire danni!
- **NON** utilizzare VITO con il coperchio aperto!
- Per motivi di sicurezza VITO interrompe automaticamente dopo 5 minuti il filtraggio e la re-immissione dell'olio
- Per motivi di sicurezza VITO spegne automaticamente il riscaldamento dopo 30 minuti.
- Durante il funzionamento in base alla funzione scelta si accendono il LED alimentazione (POWER) (11a) oppure "FILTER" (12a) oppure "RETURN" (13a).

Procedura filtraggio con VITO X-Serie

8.3 Avvio della procedura di filtraggio



1. Spegner la friggitrice.
2. Posizionare VITO accanto alla friggitrice e bloccare le ruote con il freno (10).
3. Collegare VITO alla presa elettrica. Si aziona la ventola di raffreddamento.
4. Posizionare la lancia (7) all'interno della friggitrice e mantenerla saldamente con le apposite maniglie.
5. Ruotare la leva di comando (4) su "FILTER", premere il tasto "POWER" (11) e successivamente premere il tasto "FILTER" (12).
6. Il LED filtraggio (FILTER) (LED verde) (12a) sul pannello si accende durante la procedura di filtraggio.
7. Quando l'olio raggiunge il livello massimo di riempimento del serbatoio (18), VITO interrompe automaticamente il filtraggio. Il LED filtraggio (LED verde) (12a) lampeggia ed emette un segnale acustico.
8. Riporre la lancia (7) nell'apposito supporto porta lancia (8).

8.4 Interrompere anzitempo la procedura di filtraggio



1. Estrarre immediatamente la lancia (7) dall'olio.
2. Continuare il filtraggio per ulteriori 10 secondi (a secco).
3. Premere il pulsante "POWER" (11). Il LED alimentazione (POWER) (11a) si spegne.
4. Riporre la lancia (7) nell'apposito supporto porta lancia (8).
5. Scollegare VITO dalla presa elettrica.

8.5 Iniziare procedura di re-immissione/ritorno olio

1. Spegner la friggitrice.
2. Posizionare VITO accanto alla friggitrice e bloccare le ruote con il freno (10).
3. Collegare VITO alla presa elettrica. Si aziona la ventola di raffreddamento.
4. Se si utilizza grasso invece di olio fluido, accendere il tasto riscaldamento ("HEATER") (14) prima di procedere con i passaggi successivi. Il LED riscaldamento (HEATER) (14a) si accende. Aspettare che il grasso sia diventato liquido.
5. Posizionare la lancia (7) all'interno della friggitrice e mantenerla saldamente con le apposite maniglie.
6. Premere il tasto "POWER" (11) e poi il tasto "RETURN" (13). Ruotare ora lentamente la leva di comando (4) in posizione "RETURN".
7. Il LED di ritorno olio (RETURN) (LED verde) (13a) si accende durante la procedura di pompaggio.

ATTENZIONE: ALL'INIZIO O ALLA FINE DEL PROCESSO DI POMPAGGIO, DALLA LANCIA FUORIESCE ARIA CALDA CHE POTREBBE PROVOCARE BOLLE O SPRUZZI DI OLIO.

8.6 Interrompere anzitempo/terminare la procedura di ritorno olio

1. Terminare la procedura di ritorno olio premendo il tasto "RETURN" (13). Ora sollevare con cautela la lancia (7) dall'olio. Mantenere la lancia (7) sopra la friggitrice.
2. Premere il tasto "FILTER" (12). Ruotare la leva di comando (4) per 2 o 3 volte alternativamente in posizione "FILTER" e poi di nuovo in posizione "RETURN" in modo che non rimanga olio/grasso nei condotti del dispositivo. L'olio/grasso rimarrà quindi nel serbatoio e sarà possibile interrompere il processo premendo nuovamente il tasto "FILTER" (12).
3. Premere il tasto "POWER" (11). Il LED di alimentazione (POWER) (LED rosso) (11a) si spegne.
4. Riporre la lancia (7) nell'apposito supporto porta lancia (8).
5. Scollegare VITO dalla presa elettrica.

9. Mantenimento X-Serie

- NON mettere VITO in cella frigo/frigorifero! La condensa può danneggiare l'elettronica del dispositivo!
- Temperatura ideale ambiente / stoccaggio: da +10°C a +35 °C.

10. Pulizia

10.1 Indicazioni importanti

- Pulire accuratamente il serbatoio (18), il sensore (prisma) di livello dell'olio (25) e il cestello portafiltro (23) ogni volta che si cambia il filtro in cellulosa biodegradabile (26).
- Pulire VITO solo a freddo (NON con dispositivo caldo).
- NON utilizzare sostanze abrasive.
- NON utilizzare spazzole metalliche o simili.
- NON svitare il cavo di alimentazione.

10.2 Prima del lavaggio

1. Scollegare VITO dalla presa elettrica.
2. Assicurarsi che VITO si sia raffreddato.
3. Aprire il coperchio (1).
4. Rimuovere il cestello portafiltro (23) e smaltire il filtro in cellulosa biodegradabile (26) (vedi 12.2).
5. Pulire il cestello portafiltro (23) a mano oppure in lavastoviglie.
6. Pulire a mano le superfici esterne del dispositivo.

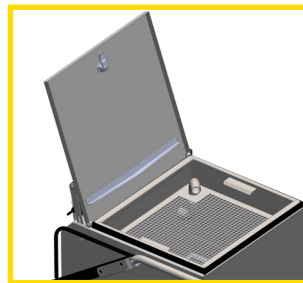
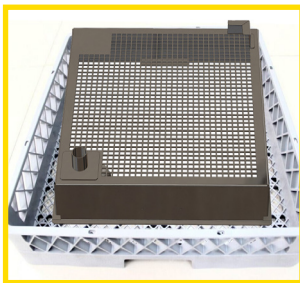
ASSICURATI DI PULIRE VITO IN BASE ALLE PRESCRIZIONI HACCP O IN BASE ALLA NORMATIVA VIGENTE NEL VOSTRO PAESE!

10.3 Pulizia manuale

1. Pulire il pannello dei comandi e la leva di comando con un panno umido!
NON UTILIZZARE acqua corrente! L'acqua potrebbe danneggiare i componenti elettrici del dispositivo!
2. Pulire le superfici esterne con acqua e sapone.
3. Lavare il cestello portafiltro (23).
4. Asciugare VITO con un panno.

10.4 Pulizia cestello in lavastoviglie

1. Inserire solo il cestello portafiltro (23) nella lavastoviglie.
2. Attivare il programma di lavaggio.
3. Pulire il pannello di controllo con un panno umido!
4. Pulire il coperchio (1) con un panno umido.



11. Sostituzione filtro

- Il filtro in cellulosa (26) deve essere sostituito solo se necessario. La sostituzione del filtro varia in base alla frequenza con cui si utilizza VITO ed in base alla quantità di residui/impurità presenti nell'olio e nella friggitrice.
- Il filtro va cambiato nel momento in cui VITO non aspira più olio oppure quando il filtro è saturo.

Filtro nuovo/pulito



Filtro saturo



Il filtro deve essere sostituito

12. Smaltimento

12.1 Smaltimento dell'imballaggio

- L'imballaggio deve essere smaltito e riciclato oppure
- potete conservarlo per uso futuro.

12.2 Smaltimento filtro in cellulosa

- I filtri in cellulosa, una volta sostituiti, devono essere smaltiti secondo la locale normativa vigente.

12.3 Smaltimento dei vecchi dispositivi

Qualora VITO abbia raggiunto il termine del suo ciclo di vita, potrà essere smaltito secondo modalità di legge.

Lo smaltimento potrà avvenire anche a cura della VITO AG come previsto da legge.

Inviare il dispositivo VITO al seguente indirizzo:

VITO AG

Eltastrasse 6

78532 Tuttlingen (Germany)

Per ulteriori chiarimenti potete contattare il vostro rivenditore locale oppure l'assistenza clienti della VITO.

12.4 Direttiva RAEE (Rifiuti di Apparecchiature Elettriche ed Elettroniche)

È vietato smaltire le apparecchiature elettriche/elettroniche come rifiuti domestici/privati. In base alla Direttiva dell'Unione Europea sui rifiuti di apparecchiature elettriche ed elettroniche, Direttiva 2002/96/EC, ed alla sua applicazione nei singoli Paesi tali apparecchiature una volta giunte a fine della loro vita possono essere conferite nei centri di raccolta comunali e dovranno essere smaltite in base ad un sistema che preveda la loro raccolta separata e uno specifico trattamento ecologico di reimpiego, riciclaggio o altre forme di recupero per prodotti finiti, componenti e materiali.

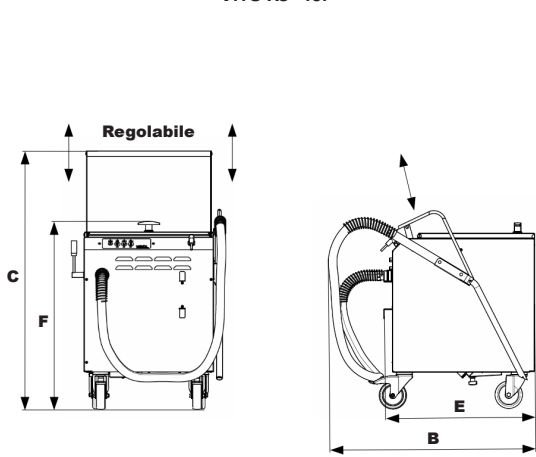
In ottemperanza alla normativa vigente che stabilisce che i prodotti a termine del loro ciclo di vita debbano essere ritirati dal produttore, VITO AG si impegna a ritirare i prodotti a marchio VITO venduti all'interno dell'UE, che potranno essere restituiti ai vari centri di raccolta autorizzati

13. Problemi e soluzioni

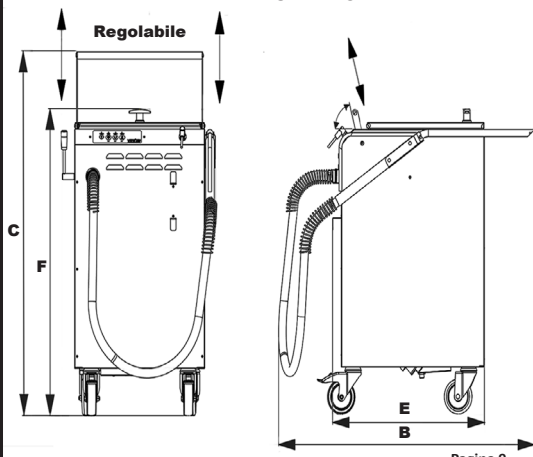
Malfunzionamento	Possibile causa	Soluzione
Il LED alimentazione (LED rosso) non si accende	<ul style="list-style-type: none"> Cavo alimentazione (5) non collegato Cavo alimentazione (5) guasto Fusibile di sicurezza bruciato 	<ul style="list-style-type: none"> Collegare VITO alla presa di corrente Contattare il servizio clienti Contattare il servizio clienti
VITO è molto rumoroso durante il funzionamento	<ul style="list-style-type: none"> Pompa o turbina difettosa 	<ul style="list-style-type: none"> Contattare il servizio clienti
Uno dei LED non si accende ma il dispositivo si avvia comunque	<ul style="list-style-type: none"> LED difettoso 	<ul style="list-style-type: none"> Contattare il servizio clienti
VITO non si accende	<ul style="list-style-type: none"> Pannello di comando/scheda elettrica difettosa 	<ul style="list-style-type: none"> Contattare il servizio clienti
Il fusibile di rete/salvavita FI della cucina scatta	<ul style="list-style-type: none"> Cavo alimentazione (5) o altri componenti difettosi 	<ul style="list-style-type: none"> Contattare il servizio clienti
Scarsa potenza della pompa di ritorno olio	<ul style="list-style-type: none"> Pompa intasata Pompa guasta Tubo silicone intasato Tubature interne intasate Lancia intasata 	<ul style="list-style-type: none"> Pulire/rimuovere l'ostruzione Contattare il servizio clienti Pulire/rimuovere l'ostruzione Pulire/rimuovere l'ostruzione Pulire/rimuovere l'ostruzione
Scarsa o inesistente depressione/ aspirazione	<ul style="list-style-type: none"> Filtro in cellulosa intasato Filtro in cellulosa saturo Cestello portafiltro pieno Coperchio non chiude perfettamente sul serbatoio Tubo silicone intasato Guarnizione serbatoio danneggiata 	<ul style="list-style-type: none"> Cambiare il filtro in cellulosa (26) Cambiare il filtro in cellulosa (26) Svuotare il cestello portafiltro (23) Posizionare correttamente il coperchio e/o il cestello portafiltro Pulire/rimuovere l'ostruzione Contattare il servizio clienti
Presenza di particelle/residui nell'olio già filtrato	<ul style="list-style-type: none"> Filtro in cellulosa non inserito Filtro inserito in modo errato 	<ul style="list-style-type: none"> Inserire il filtro Inserire il filtro come da istruzioni
Nessuna aspirazione, il LED filtraggio (12a) lampeggia e VITO emette un segnale acustico	<ul style="list-style-type: none"> Sensore livello olio sporco Sensore livello olio guasto (verificare il prisma di vetro) Max. livello olio raggiunto Cestello portafiltro/ filtro difettoso 	<ul style="list-style-type: none"> Pulire/rimuovere l'ostruzione Contattare il servizio clienti Re-immettere in friggitrice l'olio e riprovare Sostituire il filtro con uno nuovo Contattare il servizio clienti
Il riscaldamento non funziona, nonostante il LED del riscaldamento HEATER (14a) sia acceso	<ul style="list-style-type: none"> Riscaldamento guasto Scheda elettrica difettosa 	<ul style="list-style-type: none"> Contattare il servizio clienti Contattare il servizio clienti
Il LED filtraggio (12a) si accende, ma la turbina non funziona	<ul style="list-style-type: none"> Turbina guasta Scheda elettrica difettosa 	<ul style="list-style-type: none"> Contattare il servizio clienti Contattare il servizio clienti

Dovessero verificarsi altri malfunzionamenti, potete rivolgervi al servizio assistenza della VITO, oppure al vostro rivenditore di zona! Trovate i recapiti nel capitolo 2 "Note legali".

VITO XS- 40I



VITO XM- 75I

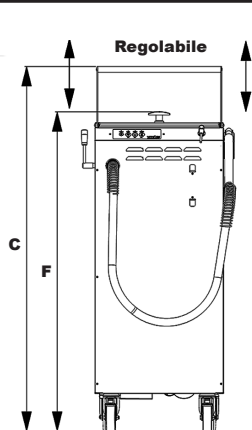


14. Informazioni tecniche

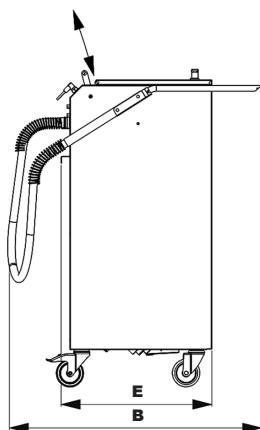
	VITO XS	VITO XM	VITO XL			
Tensione nominale	Tensione nominale a seconda dei Paesi (vedi targhetta identificativa) 220 – 240V ~ ±10% 50 – 60Hz 100 – 120V ~ ±10% 50 – 60Hz					
Assorbimento nominale di corrente	ca. 6,0A a 220-240V ca. 8,5A a 100-120V					
Potenza max. riscaldamento	110W					
Temperatura di esercizio	max. 200°C/ 392°F					
Turbina: potenza massima / potenza nominale	220-240V = 1150 / 1050W 100-120V = 850 / 750W					
Potenza di filtraggio	fino a 30 l/min (66 lbs/min)					
Pompa: potenza massima / potenza nominale	500W/460W					
Portata della pompa	35 l/min (77lbs /min)					
Peso	45,0 kg (100 lbs)	55,8 kg (123 lbs)	64,0 kg (141 lbs)			
Allarme acustico	Sì					
Volume raccolta residui	10.7 kg / 23.6 lbs*1 (10l)					
Capacità serbatoio	40 l (73 lbs)	75 l (137 lbs)	120 l (220 lbs)			
Livello rumorosità	fino a 95dBA*2					
Temperatura di stoccaggio	+10°C / +35°C (+50°F / +95°F)					
Pannello comandi	Pannello comandi / leva di comando					
Filtro di ricambio	Materiale: rayon/cellulosa FDA-CFR 21					
Classe di protezione	IP23					
Attivazione del sensore livello olio	40 l (73 lbs)	75 l (137 lbs)	120 l (220 lbs)			
Modo d'uso	Utilizzo NON continuativo (sono necessari intervalli tra un ciclo e l'altro)					
Dimensioni	con maniglia aperta			con maniglia chiusa		
	Larghezza A	Profondità B	Altezza C	Larghezza D	Profondità E	Altezza F
VITO XS	555 mm / 21.8 in	723 mm / 28.5 in	843 mm / 33.2 in	470 mm / 18.5 in	552 mm / 21.7 in	682 mm / 26.9 in
VITO XM	555 mm / 21.8 in	885 mm / 34.8 in	1044 mm / 41.1 in	470 mm / 18.5 in	552 mm / 21.7 in	886 mm / 34.9 in
VITO XL	555 mm / 21.8 in	885 mm / 34.8 in	1334 mm / 52.5 in	470 mm / 18.5 in	552 mm / 21.7 in	1174mm / 46.2 in

*1 Pangrattato di uso comune

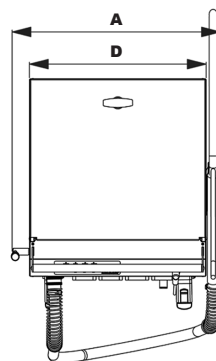
*2 In base alla Direttiva Europea sul Rumore CE 2003/10/CE, è possibile utilizzare VITO X-Serie per 30 minuti al giorno senza utilizzare dispositivi di protezione acustica (tempo effettivo di filtraggio)



VITO XL -120l



VITO XS/XM/XL



15. Dichiarazione di conformità

Rilasciata da VITO AG | Eltastrasse 6 78532 Tuttlingen (Germany) | Phone : +49 (0) 7461 / 96289-0
 Fax : +49 (0) 7461 / 96289-12 | Email: info@vito.ag

Valido per i seguenti prodotti: VITO X-Serie, International Patent pending.

I sistemi di filtraggio professionali per olio/grasso sono progettati, costruiti e collaudati secondo le seguenti norme:

Ai fini della Direttive UE:

- 2006/42/EG Direttiva Macchinari
- 2014/30/EU Direttiva Compatibilità elettromagnetica
- 2014/35/EU Direttiva bassa tensione
- 2011/65/EU RoHS - Normativa comunitaria (Restriction of Hazardous Substances Directive) Diretiva
- 2003/10/EC Prescrizioni minime di sicurezza e di salute relative all'esposizione dei lavoratori ai rischi derivanti dagli agenti fisici
- 2012/19/EU Direttiva sui rifiuti di apparecchiature elettriche ed elettroniche

Per la riduzione dei rischi derivanti da agenti fisici (rumore): i sistemi di filtraggio VITO X-SERIE sono soggetti e soddisfano i requisiti e le norme di armonizzazione previste dall'Unione Europea.

- EN 61000-6-1: 2019 Immunità
- EN 61000-6-2: 2019 Immunità
- EN 61000-6-3: 2011-09 Emissioni
- EN 61000-6-4: 2020-09 Emissioni

Secondo standard Tedeschi, Europei ed Internazionali (non europei)

Standard Germania DIN EN		Standard Europei EN		Standard Internazionale IEC (IEC/CISPR)
DIN EN 61000-6-1:2019-11	basato su	EN 61000-6-1:2019	basato su	IEC 61000-6-1:2016
DIN EN 61000-6-2:2019-11	basato su	EN 61000-6-2:2019	basato su	IEC 61000-6-2:2016
DIN EN 61000-6-3:2011-09	basato su	EN 61000-6-3:2007+A1:2010	basato su	IEC 61000-6-3:2006 + A1:2010
DIN EN 61000-6-4:2020-09	basato su	EN 61000-6-4:2019	basato su	IEC 61000-6-4:2018
DIN EN 61000-3-2:2019-12	basato su	EN 61000-3-2:2019	basato su	IEC 61000-3-2:2018
DIN EN 61000-3-3:2020-07	basato su	EN 61000-3-3:2013+A1:2019	basato su	IEC 61000-3-3:2013-05
DIN EN 60335-1:2020-08	basato su	EN 60335-1:2012	basato su	IEC 60335-1:2010, modified
DIN EN 12100:2011-03	basato su	EN 12100:2011-03	basato su	ISO 12100:2011-03
DIN EN 60204-1:2019-06	basato su	EN 60204-1:2019-06	basato su	IEC 60204-1:2016, modified
DIN EN 55014-1:2018-08	basato su	EN 55014-1:2018-08	basato su	CISPR 14-1:2016 + COR1:2016
DIN EN 55014-2:2016-01	basato su	EN 55014-2:2016-01	basato su	CISPR 14-2:2015
-	-	VO (EG) No. 2023/2006	-	-
-	-	VO (EG) No. 1935/2004	-	-
DIN EN 10088-1:2014-12	-	-	-	-
DIN 18876 A1:2018-06	-	-	-	-
DIN 18876 A2:2018-06	-	-	-	-
DIN 18876 A3:2018-06	-	-	-	-
DIN EN 50396:2006-07	-	-	-	-
DIN EN 61003-2:2017-06	-	-	-	-
DIN EN 10095:2018-12	-	-	-	-
DIN EN 10269:2014-02	-	-	-	-
DIN EN 10302:2008-6	-	-	-	-
DIN EN 82079-1:2013-6	-	-	-	-
-	-	2002/72/EG	-	-
ProdSG	basato su	2001/95/EG	-	-
LFGB	-	-	-	-
DGUV-Rule 110-002	-	-	-	-



Tuttlingen, 2023
 Andreas Schmidt

CEO
 VITO AG



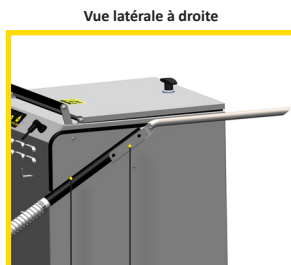
Table des matières

1. VITO série X - Présentation	2
1.1 Description de la série-X	2
1.2 VITO série X volume de livraison	3
2. Informations légales	3
3. Préface	4
4. Remarques générales	4
5. Avis de sécurité / Explication des symboles	4
6. VITO série X	4
6.1 Utilisation conforme	4
6.2 Utilisation non-conforme	4
7. Préparation avant utilisation	5
7.1 Guide de sécurité	5
8. Processus de filtration	5
8.1 Conditions	5
8.2 Remarques sur le fonctionnement	6
8.3 Démarrer le processus de filtration	6
8.4 Arrêter la filtration prématurément	6
8.5 Démarrer le processus d'aspiration	6
8.6 Arrêter le processus d'aspiration prématurément	6
9. Espace de rangement	7
10. Nettoyage	7
10.1 Avis	7
10.2 Préparation du nettoyage	7
10.3 Nettoyage manuel	7
10.4 Nettoyage automatique	7
11. Changement de filtre	8
12. Traitement des déchets	8
12.1 Traitement des emballages	8
12.2 Traitement du filtre	8
12.3 Traitement de l'appareil	8
12.4 Directive DEEE (Déchets d'équipements électriques et électroniques) ...	8
13. Solutions problèmes de fonctionnement	9
14. Données techniques	10
15. Déclaration de conformité	11

1. VITO série X - Présentation

VITO série X

À titre d'exemple,
VITO XM



1.1 Description de la série-X

01. Couverture

01.1. Bouclier anti-gouttes d'huile

02. Poignée de verrouillage

03. Poignée avant (hauteur réglable)

03.1 Vis pour poignée avant (2 pièces)

04. Levier de commutation Filter / Return

04.1. Symbole Filter / Return

05. Câble

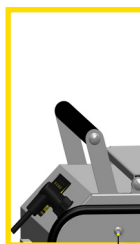
06. Fixation du câble

07. Lance avec poignée

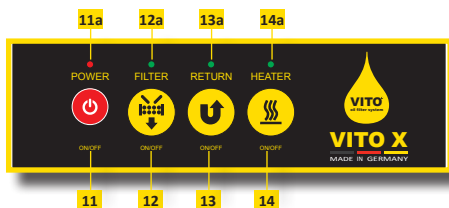
08. Support de lance

09. Roues sans blocage total (2 pièces)

10. Roues avec blocage total (2 pièces)



• Panneau de commande



11. Bouton POWER

12. Bouton FILTER

13. Bouton RETURN

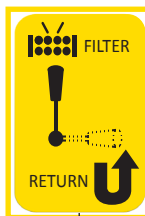
14. Bouton HEATER

11a. Indicateur d'alimentation (LED rouge)

12a. Indicateur de filtration (LED verte)

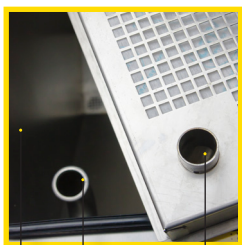
13a. Indicateur de pompage (LED verte)

14a. Indicateur de chauffage (LED verte)





15 16 17



18 19 20



21 22 23



24 25



26 27



28

1.1 Description de la série-X

- 15. Terminal de raccordement pour tuyau (16)
- 16. Tuyau et attelage rapide
- 17. Protection contre le pliage
- 18. Réservoir
- 19. Connexion
- 20. Ouverture inférieure (lien vers la connexion 19)
- 21. Ouverture supérieure
- 22. Poignée de panier de filtration
- 23. Panier de filtration
- 24. Tuyau d'aspiration
- 25. Capteur de niveau d'huile
- 26. Filtre à particules
- 27. Conseil
- 28. Protection contre la torsion

1.2 VITO série X volume de livraison

- VITO série X
- Câble
- Tuyau avec attelage rapide
- Couverture
- Panier de filtration
- Manuel
- Manuel d'instructions succinctes
- Filtre à particules (1 pièce)
- Clé hexagonale (pour poignée frontale)(3)

2. Informations légales

VITO AG

Eltastrasse 6
78532 Tuttlingen (Allemagne)
Tél. : +49 (0) 7461 / 96289-0
Fax : +49 (0) 7461 / 96289-12
info@vito.ag
www.vito.ag

CEO:

Andreas Schmidt (MBA, Dipl.-Wirt.Ing)
Quartier général: Tuttlingen, Allemagne
Rég. rechercher: Stuttgart HRB 750227

En coopération avec:

Université Albstadt-Sigmaringen (Allemagne)
- Génie industriel avec études commerciales -

Jakobstrasse 1
72458 Albstadt (Allemagne)
Copyright © VITO AG
Tous les droits sont réservés.

Ce document est soumis au copyright de VITO AG.
Sans l'autorisation écrite préalable de la société VITO AG, le document ou des parties de celui-ci ne peuvent être ni dupliqués, ni utilisés en contradiction avec leurs intérêts légitimes.
Les changements dans le sens du progrès technique sont réservés.

3. Préface

Cher client VITO:

Merci d'avoir acheté ce produit de VITO AG. Veuillez lire attentivement ce manuel pour vous familiariser avec la manipulation de votre système de filtration VITO et pour assurer une utilisation correcte. Pour vos questions, contactez votre revendeur et/ou notre service clientèle, qui est à votre disposition à tout moment.

Vos commentaires et suggestions concernant VITO filtre à huile de friture et/ou ce manuel sont les bienvenus. (Veuillez consulter les coordonnées dans ce manuel.)

Nous espérons que vous apprécierez votre VITO pendant longtemps et que vous gagnerez en efficacité dans votre établissement. Avec VITO, vous disposez d'un système de filtration avec une longue durée de vie et d'un support efficace pour votre travail.

4. Remarques générales

Ce mode d'emploi contient des informations importantes sur l'utilisation du VITO série X. Veuillez lire attentivement ces informations avant d'utiliser votre VITO. Conservez ce manuel dans un endroit disponible en cas de besoin. VITO est un système de filtration d'huile conçu pour nettoyer les huiles/grasses/beurre. La friture contaminera l'huile avec des particules brûlées. VITO permet de nettoyer l'huile directement de la friteuse. Filtrer avec VITO prolonge la durée de vie de l'huile. Nous recommandons de filtrer avec VITO une ou deux fois par jour. Le filtre à particules peut être utilisé plusieurs fois avant de le changer. Une fois que l'huile ne peut plus être aspirée ou que le panier de filtration dans lequel le filtre est placé est plein, il faut changer le filtre. Les filtres usagés sont éliminés conformément à la réglementation locale (voir chapitre 12.2 Traitement du filtre).

5. Avis de sécurité / Explication des symboles

Une mauvaise manipulation du VITO peut entraîner des accidents dangereux et des blessures. Ce qui suit doit être pris en considération. Dangers possibles sont marqués avec ces symboles:



Avertissement

En cas de non-respect, il y a risque de blessures graves.



Risque de choc électrique

Manipulation inadéquate ou ouverture de l'appareil.



Avertissement/ Risque de lésions oculaires

Utilisez une protection oculaire pendant que vous utilisez VITO.



Danger de glissement

s'il y a de l'huile dans le sol.



À l'attention

Informations de sécurité importantes.



Porter des gants de protection

Surfaces chaudes.



Risque de brûlure

pour l'utilisateur de la VITO série X en raison d'une manipulation inadéquate.



Instructions pour la manipulation

Informations de manipulation de VITO série X.



Porter des vêtements de protection appropriés.



Risque de lésions auditives pour les utilisateurs de VITO série X.



Classe de sécurité 1

Utilisez VITO série X uniquement mise en terre.



Porter des chaussures de protection appropriée.

6. VITO série X

6.1 Utilisation conforme



- VITO a été conçu pour une utilisation dans des cuisines professionnelles.
- Veuillez suivre les instructions de sécurité! La filtration est seulement possible avec l'huile liquide.
- VITO doit être utilisé par du personnel qualifié et formé!
- Le système VITO est conçu pour un usage intermittent.

6.2 Utilisation non-conforme



LE NON RESPECT DES CONSIGNES DANS CE MODE D'EMPLOI PEUT PROVOQUÉ L'ENDOMMAGEMENT DU VITO OU DES BLESSURES D'ÊTRE HUMAIN !!!

- VITO n'est PAS approuvé pour nettoyer/filtrer d'autres liquides que de l'huile/graisse/beurre!
 - NE PAS utiliser ou stocker VITO à l'extérieur! La pluie et l'humidité causeront des dégâts.
 - VITO n'est PAS fabriqué pour une utilisation permanente! Risque de surchauffe/risque d'incendie.
 - NE PAS couvrir les fentes de ventilation (6)!
 - NE touchez PAS la prise avec des mains humides!
 - NE PAS plier ou bloquer le câble!
 - L'utilisation de VITO pour les enfants est strictement interdite!
 - VITO ne doit PAS être utilisé avec un raccord autre qu'un raccord de protection de classe I
- NE ASSUMONS AUCUNE RESPONSABILITÉ POUR L'UTILISATION INDEBITE!**

7. Préparation avant utilisation

7.1 Guide de sécurité



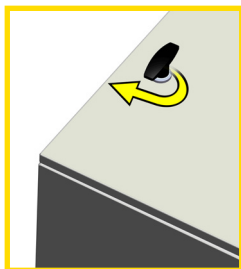
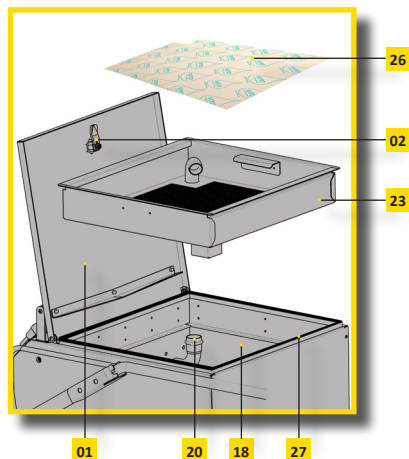
- N'utilisez PAS VITO la première fois que vous l'avez reçu. Attendez que VITO se soit acclimaté.
- Nettoyez VITO avant de l'utiliser pour la première fois.
- Assurez-vous que le câble (5) et le lance (7) sont intacts.
- Assurez-vous que la tension locale est conforme à la voltage de l'étiquette de type de VITO!
- **ÉTEIGNEZ VOTRE FRITEUSE AVANT DE TRAVAILLER AVEC VITO. RISQUE D'INCENDIE!**
- **NE RETOURNEZ PAS L'HUILE SANS METTRE LA LANCE DANS LA FRITEUSE.**
- Ne laissez PAS le câble (5) toucher de l'huile ou des choses chaudes!
- La température maximale de fonctionnement est de 200°C (température de friture recommandée 175°C).
- NE PAS courir VITO sans huile!
- Faites attention aux chauffe-eau, grilles ou capteurs thermiques dans la friteuse!
- Vérifiez le fonctionnement du capteur de niveau d'huile (25)!
- Le capteur (25) peut être endommagé lors d'un mauvais positionnement du panier de filtration (23), de la lance (7) ou d'autres objets!
- Le prisme de verre sera endommagé en raison d'une mauvaise manipulation!
- NE PAS utiliser si le câble (5) est endommagé!
- NE PAS utiliser si le tuyau (16) est endommagé!
- Le dispositif sera chaud pendant / après utilisation et peut causer des brûlures!
- Volume maximal du réservoir du VITO XS 40 litres, VITO XM 75 litres, VITO XL 120 litres.
- NE PAS utiliser le dispositif sans panier de filtration (23).
- Utilisez VITO uniquement sur des surfaces droites!
- Tenez VITO uniquement par les poignées (2), (3)!
- Il suffit de dévisser le câble en cas de service!
- Retirez la lance de la friteuse après le processus de filtration ou d'aspiration!
- NE PAS utiliser VITO sans avoir fermé le couvercle (1)!
- Vous pouvez travailler avec VITO série X pendant 30 minutes par jour sans protection auditive.
- NE PAS déplacer VITO avec le couvercle (1) ouvert.
- NE PAS déplacer VITO pendant le processus de filtrage.

8. Processus de filtration

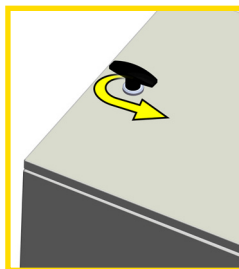
8.1 Conditions



1. Placer le panier de filtration (23) dans le réservoir (18). L'entrée du panier de filtration (20) du panier de filtration doit être en la pièce de connexion (19) du réservoir (18) peut être insérée.
 2. Placez le filtre à particules (26) dans le panier de filtration (23) (voir chapitre 11 Changer le filtre).
 3. Vérifiez que le panier de filtration (23) a le conseil (27) couvre tout autour.
 4. Utilisez la poignée de verrouillage (2) autour du couvercle (1) proche.
 5. Assurez-vous que le raccord rapide du tuyau (16) repose solidement sur le terminal de raccordement (15).
- Fonctionnement sans et sans panier de filtration (23) correctement inséré couvercle (1) correctement placé n'est pas possible, car aucune pression négative n'est générée.



Le couvercle est bien fermé



Le couvercle est ouvert

8.2 Remarques sur le fonctionnement

- **ÉTEIGNEZ VOTRE FRITEUSE AVANT DE TRAVAILLER AVEC VITO.**
- Le processus de filtration peut être interrompu à tout moment en appuyant sur le bouton POWER (11).
- **NE PAS DÉPLACER VITO PENDANT LA FILTRATION!**
- NE PAS utiliser VITO en position inclinée!
- N'utilisez PAS VITO sans panier de filtration! L'appareil peut être endommagé!
- NE PAS utiliser VITO sans fermer hermétiquement le couvercle (1).
- Pour des raisons de sécurité, VITO arrête automatiquement le processus de pompage/filtrage au bout de 5 minutes.
- Pour des raisons de sécurité, VITO éteint automatiquement le chauffage au bout de 30 minutes.
- Pendant le fonctionnement, l'indicateur d'alimentation (11a) et l'indicateur de filtration (12a) ou l'indicateur de pompage (13a) sont allumer.

Procédé de filtration série VITO X

8.3 Démarrer le processus de filtration



1. Éteignez votre friteuse.
2. Placer solidement VITO à côté de la friteuse, bloquer les deux roues avec les freins (10).
3. Branchez votre VITO => le ventilateur démarre.
4. Placer la lance (7) dans la friteuse et assurer une prise stable.
5. Réglez le levier de commutation (4) sur «FILTER», appuyez sur le bouton POWER (11) puis sur le bouton FILTER (12).
6. Le voyant de filtration (LED verte) (12a) est allumé pendant la filtration.
7. Lorsque le niveau maximum est atteint dans la réserve (18), VITO arrête automatiquement la filtration. L'indicateur de filtration (LED verte) (12a) clignote et un signal sonore se fait entendre.
8. Insérer la lance (7) dans le support (8)

8.4 Arrêter la filtration prématurément



1. Retirer immédiatement la lance (7) de l'huile.
2. Laisser la filtration continuer pendant 10 secondes.
3. Appuyez sur le bouton POWER (11) l'indicateur d'alimentation (LED rouge) (11a) doit être éteint.
4. Attacher la lance (7) au support (8).
5. Débranchez le VITO.

8.5 Démarrer le processus d'aspiration



1. Éteignez votre friteuse.
2. Placer solidement VITO à côté de la friteuse, bloquer les deux roues avec les freins (10).
3. Branchez votre VITO => le ventilateur démarre.
4. Si vous utilisez de la graisse au lieu de l'huile liquide, appuyez sur le bouton HEATER (14). L'indicateur de préchauffage (LED verte) (14a) doit être allumé. Attendez que la graisse soit liquide.
5. Placer la lance (7) dans la friteuse et assurer une prise stable.
6. Appuyez sur POWER (11) puis sur le bouton RETURN (13). Tournez maintenant lentement le levier de commutation (4) sur la position «RETURN».
7. L'indicateur de pompe (LED verte) (13a) est allumé pendant le processus d'aspiration.

AVERTISSEMENT : AU DÉBUT OU À LA FIN DU PROCESSUS DE POMPAGE, DE L'AIR S'ÉCHAUFFERA DE LA LANCE, QUI PEUT PROVOQUER DES ÉCLABOUSSURES OU PROVOQUER DES AMPOULES.

8.6 Arrêter le processus d'aspiration prématurément

1. Terminez le processus de pompage en appuyant sur le bouton RETURN (13). Soulevez maintenant avec précaution la lance (7) hors de l'huile. Maintenez la lance (7) au-dessus de la friteuse.
2. Appuyez sur le bouton FILTER (12), réglez le levier de commutation (4) sur «FILTER» puis réglez le levier sur «RETURN» (4).
Astuce: Effectuez cette opération 2 à 3 fois pour vous assurer que le système est exempt d'huile ou de graisse. L'huile ou la graisse restante sera dans le réservoir et vous pouvez arrêter le processus en appuyant à bouton FILTER (12).
3. Appuyez sur le bouton POWER (11). L'indicateur d'alimentation (LED rouge) (11a) doit être éteint.
4. Insérer la lance (7) dans le support (8).
5. Débranchez le VITO.

9. Espace de rangement



- NE mettez PAS VITO dans votre réfrigérateur! L'eau condensée peut endommager l'électronique de l'appareil!
- Température ambiante / de stockage : +10°C à +35°C (+50°F à 95°F).

10. Nettoyage

10.1 Avis



- Déconnecter VITO.
- Nettoyez soigneusement le réservoir (18), le capteur (25) et le panier de filtration (23) à chaque changement de filtre à particules (26).
- Nettoyer le VITO uniquement lorsqu'il est froid.
- NE PAS utiliser d'abrasifs.
- NE PAS utiliser de brosses métalliques ou quelque chose de similaire.
- Ne dévissez le câble qu'en cas d'entretien!

10.2 Préparation du nettoyage



1. Déconnecter VITO.
2. Assurez-vous que VITO est froid.
3. Ouvrez le couvercle (1).
4. Jeter le filtre à particules (26) (voir chapitre 12.2).
5. Nettoyez manuel ou automatique du panier de filtration (23).
6. Nettoyez le reste de l'appareil à la main.

ASSUREZ-VOUS DE NETTOYER VITO EN TENANT COMPTE DES RÈGLES HACCP OU DE LA RÉGLEMENTATION DE VOTRE PAYS.

10.3 Nettoyage manuel

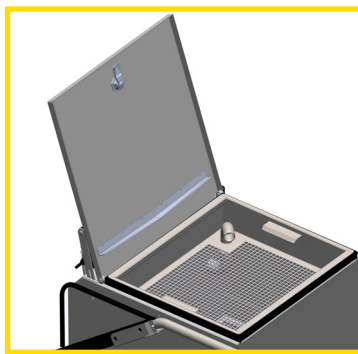
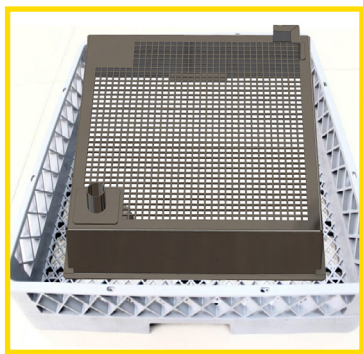


1. Nettoyez le panneau de commande avec un chiffon humide!
N'utilisez PAS d'eau courante, cela endommagerait l'électronique de l'appareil!
2. Nettoyez le reste avec de l'eau savonneuse.
3. Lavez le panier de filtration (23).
4. Séchez VITO avec un chiffon.

10.4 Nettoyage automatique



1. Mettez le panier de filtration (23) dans le lave-vaisselle.
2. Démarrez le programme de lavage.
3. Nettoyez le panneau de commande uniquement avec un chiffon humide!
4. Nettoyez le couvercle avec un chiffon humide.



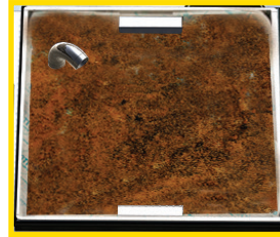
11. Changement de filtre

- Remplacer le filtre à particules (26) si nécessaire. L'intervalle de changement dépend de l'utilisation du VITO et des particules qu'il a dans son huile.
- Le filtre doit être changé lorsque l'appareil ne fonctionne plus ou que le filtre est plein.

Nouveau filtre



Filtre plein



Le filtre doit être changé

12. Traitement des déchets

12.1 Traitement des emballages

- L'emballage doit être recyclé ou
- conservez soigneusement l'emballage.

12.2 Traitement du filtre

- Le filtre usagé doit être éliminé conformément aux spécifications de votre pays.

12.3 Traitement de l'appareil

Si VITO arrive au bout de quelques années à sa fin de vie technique et ne peut plus être remis en état, il doit être traité comme prévu.

Ce traitement est géré par VITO AG comme déterminé par la loi.

Envoyez votre VITO à :

VITO AG

Eltastrasse 6

78532 Tuttlingen (Allemagne)

Pour des questions supplémentaires, merci de contacter votre revendeur local ou le support client de VITO AG.

12.4 Directive DEEE (Déchets d'équipements électriques et électroniques)

A fin de protéger l'environnement et comme écologiste, VITO AG vous rappelle que selon la directive de l'Union Européenne (UE) sur le traitement des „Déchets d'équipement électriques et électroniques“, Directive 2002/96/EC (transforme par ex. En droit français par décret 2005-829 le 20 juillet 2005), les produits „électriques et électroniques“ ne peuvent plus être mis dans le circuit des déchets ménagers et les constructeurs des produits concernés ont l'obligation de reprendre les produits à la fin de leurs vies opérationnelles, si l'état n'a pas prévu des circuits de collecte spécialisé.

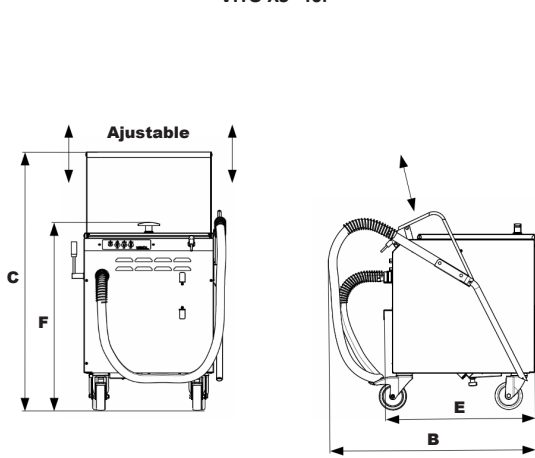
VITO AG va se mettre en conformité avec l'obligation de reprise à la fin de vie des produits marqués VITO, vendus dans l'UE. Vous pouvez aussi retourner l'appareil aux points de collecte prévus par votre collectivité pour ces produits.

13. Solutions problèmes de fonctionnement

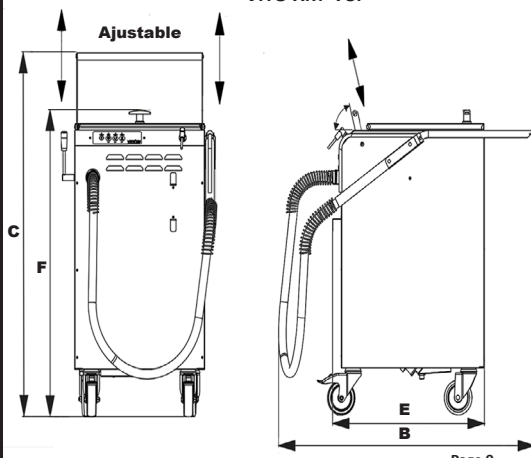
Mauvais fonctionnement	Cause possible	Des mesures correctives
L'indicateur d'alimentation (LED rouge) est inactif	<ul style="list-style-type: none"> Le câble (5) n'est pas branché Le câble (5) est défectueux Le fusible VITO est défectueux 	<ul style="list-style-type: none"> Branchez VITO Veillez contacter le service Veillez contacter le service
VITO fait beaucoup de bruit pendant filtration	<ul style="list-style-type: none"> La pompe ou la turbine sont défectueux 	<ul style="list-style-type: none"> Veillez contacter le service
Une des LED ne clignote pas, VITO peut toujours être allumé	<ul style="list-style-type: none"> LED est défectueuse 	<ul style="list-style-type: none"> Veillez contacter le service
VITO ne peut pas être allumé	<ul style="list-style-type: none"> Contrôle défectueux 	<ul style="list-style-type: none"> Veillez contacter le service
Fusible de ligne / fusible FI éclaté	<ul style="list-style-type: none"> Câble (5) ou autres composants électriques défectueux 	<ul style="list-style-type: none"> Veillez contacter le service
Pompage à faible rendement	<ul style="list-style-type: none"> Pompe bouchée Pompe défectueuse Le tuyau (16) est bouché Tuyau bouché Lance (7) bloquée 	<ul style="list-style-type: none"> Nettoyer la pompe Veillez contacter le service Nettoyer le tuyau (16) Nettoyer le tuyau Nettoyer la lance (7)
Pas ou trop peu de vide ou puissance d'aspiration	<ul style="list-style-type: none"> Filter à particules (26) bouché Filter à particules (26) plein Panier de filtration (23) plein Trop de jeu entre la couverture et réservoir Le tuyau (16) est bouché Conseil (27) endommagé 	<ul style="list-style-type: none"> Changer le filtre (26) Changer le filtre (26) Vider le panier de filtration (23) Monter correctement le couvercle (1) Nettoyer le tuyau (16) Veillez contacter le service
Particules dans l'huile filtrée	<ul style="list-style-type: none"> Pas de filtre (26) défini Filter mal défini 	<ul style="list-style-type: none"> Monter le filtre comme décrit dans les instructions
Pas d'aspiration, voyant de filtration clignote et signal sonore	<ul style="list-style-type: none"> Le capteur (25) est sale Le capteur (25) est défectueux Niveau d'huile maximum atteint Panier de filtration (23) / filtre (26) défectueux 	<ul style="list-style-type: none"> Nettoyer le capteur (25) Veillez contacter le service Renvoie l'huile et retourne à essayez-le. Remplacez le filtre (26) par un neuf Veillez contacter le service
Le chauffage ne fonctionne pas, le voyant de chauffage (14a) clignote	<ul style="list-style-type: none"> Le chauffage est défectueux Contrôle défectueux 	<ul style="list-style-type: none"> Veillez contacter le service Veillez contacter le service
L'indicateur de filtration (12a) clignote, la turbine ne fonctionne pas	<ul style="list-style-type: none"> La turbine est défectueuse Contrôle défectueux 	<ul style="list-style-type: none"> Veillez contacter le service Veillez contacter le service

Si vous constatez des défauts non répertoriés ici, veuillez contacter le service client VITO ou votre revendeur! Les coordonnées se trouvent au chapitre 2. Informations légales.

VITO XS- 40I



VITO XM- 75I



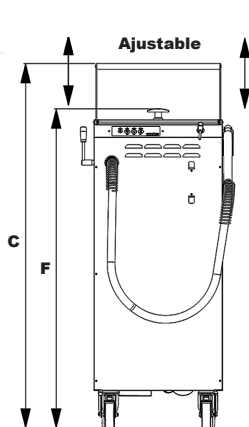
14. Données techniques

	VITO XS	VITO XM	VITO XL
Voltage nominal	Voltage nominale selon pays, voir l'étiquette de type 220 – 240V ~ ±10% 50 – 60Hz 100 – 120V ~ ±10% 50 – 60Hz		
Puissance nominale consommation	environ 6,0A à 220-240V environ 8,5A à 100-120V		
Puissance de chauffe max.	110W		
Température pendant le fonctionnement	max. 200°C/ 392°F		
Turbine : puissance max. / puissance nominale	220-240V = 1150 / 1050W 100-120V = 850 / 750W		
Pouvoir filtrant	jusqu'à 30 l/min (66 lbs/min)		
Pompe : max. / puissance nominale	500W/460W		
Puissance de pompage	35 l/min (77lbs /min)		
Poids	45,0 kg (100 lbs)	55,8 kg (123 lbs)	64,0 kg (141 lbs)
Signal acoustique	Oui		
Volumes particules	10.7 kg / 23.6 lbs* (10l)		
Volume du réservoir	40 l (73 lbs)	75 l (137 lbs)	120 l (220 lbs)
Niveau de bruit	jusqu'à 95dBA*		
Température de stockage	+10°C / +35°C (+50°F / +95°F)		
Contrôle utilisateur	Panneau de commande / Levier de commutation		
Filtre	Cellulose FDA-CFR 21		
Classe de protection	IP23		
Activation du capteur de niveau d'huile	40 l (73 lbs)	75 l (137 lbs)	120 l (220 lbs)
Mode d'utilisation	Fonctionnement intermittent		

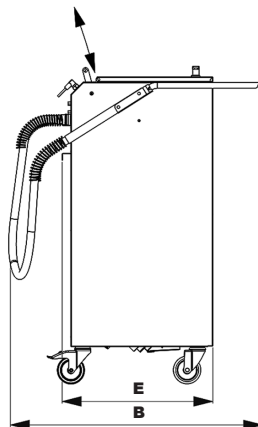
Dimensions	Compleat			Compact		
	Largueur A	Bas B	Hauteur C	Largueur D	Bas E	Hauteur F
VITO XS	555 mm / 21.8 in	723 mm / 28.5 in	843 mm / 33.2 in	470 mm / 18.5 in	552 mm / 21.7 in	682 mm / 26.9 in
VITO XM	555 mm / 21.8 in	885 mm / 34.8 in	1044 mm / 41.1 in	470 mm / 18.5 in	552 mm / 21.7 in	886 mm / 34.9 in
VITO XL	555 mm / 21.8 in	885 mm / 34.8 in	1334 mm / 52.5 in	470 mm / 18.5 in	552 mm / 21.7 in	1174 mm / 46.2 in

*Chapelure ordinaire

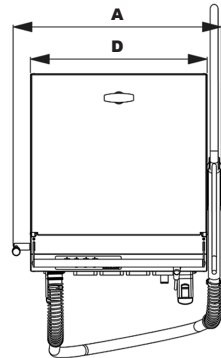
*Selon la directive européenne 2003/10 / CE, il est autorisé de travailler avec la série VITO X jusqu'à 30 minutes par jour sans protection auditive.



VITO XL -120L



VITO XS/XM/XL



15. Déclaration de conformité

Édité par **VITO AG** | Eltastrasse 6 78532 Tuttlingen (Allemagne) | Téléphone : +49 (0) 7461 / 96289-0
 Fax : +49 (0) 7461 / 96289-12 | E-mail: info@vito.ag

Pour les produits: **VITO serie X, International Patent pending**

Les appareils professionnels de filtration de graisse sont produits et contrôlés d'après les normes suivantes:

Aux fins des directives de l'UE:

- **2006/42/EG** Directive Machines
- **2014/30/EU** Compatibilité électromagnétique
- **2014/35/EU** Directive Basse Tension
- **2011/65/EU** RoHS - Directive (Restriction of certain Hazardous Substances)
- **2003/10/EC** Exigences minimales pour protéger la sécurité et la santé des travailleurs
- **2012/19/EU** Directive DEEE

Le risque d'effets physiques (bruit) des systèmes de filtration de la série VITO X est conforme à la législation d'harmonisation de l'UE.

- **EN 61000-6-1: 2019** Immunité
- **EN 61000-6-2: 2019** Immunité
- **EN 61000-6-3: 2011-09** Émission
- **EN 61000-6-4: 2020-09** Émission

Aux normes allemandes, européennes et internationales (non européennes)

Norme allemande DIN EN		Norme européenne EN		Norme internationale IEC (IEC/CISPR)
DIN EN 61000-6-1:2019-11	basé sur	EN 61000-6-1:2019	basé sur	IEC 61000-6-1:2016
DIN EN 61000-6-2:2019-11	basé sur	EN 61000-6-2:2019	basé sur	IEC 61000-6-2:2016
DIN EN 61000-6-3:2011-09	basé sur	EN 61000-6-3:2007+A1:2010	basé sur	IEC 61000-6-3:2006 + A1:2010
DIN EN 61000-6-4:2020-09	basé sur	EN 61000-6-4:2019	basé sur	IEC 61000-6-4:2018
DIN EN 61000-3-2:2019-12	basé sur	EN 61000-3-2:2019	basé sur	IEC 61000-3-2:2018
DIN EN 61000-3-3:2020-07	basé sur	EN 61000-3-3:2013+A1:2019	basé sur	IEC 61000-3-3:2013-05
DIN EN 60335-1:2020-08	basé sur	EN 60335-1:2012	basé sur	IEC 60335-1:2010, modified
DIN EN 12100:2011-03	basé sur	EN 12100:2011-03	basé sur	ISO 12100:2011-03
DIN EN 60204-1:2019-06	basé sur	EN 60204-1:2019-06	basé sur	IEC 60204-1:2016, modified
DIN EN 55014-1:2018-08	basé sur	EN 55014-1:2018-08	basé sur	CISPR 14-1:2016 + COR1:2016
DIN EN 55014-2:2016-01	basé sur	EN 55014-2:2016-01	basé sur	CISPR 14-2:2015
-	-	VO (EG) No. 2023/2006	-	-
-	-	VO (EG) No. 1935/2004	-	-
DIN EN 10088-1:2014-12	-	-	-	-
DIN 18876 A1:2018-06	-	-	-	-
DIN 18876 A2:2018-06	-	-	-	-
DIN 18876 A3:2018-06	-	-	-	-
DIN EN 50396:2006-07	-	-	-	-
DIN EN 61003-2:2017-06	-	-	-	-
DIN EN 10095:2018-12	-	-	-	-
DIN EN 10269:2014-02	-	-	-	-
DIN EN 10302:2008-6	-	-	-	-
DIN EN 82079-1:2013-6	-	-	-	-
-	-	2002/72/EG	-	-
ProdSG	basé sur	2001/95/EG	-	-
LFGB	-	-	-	-
DGUV-Rule 110-002	-	-	-	-

VITO®
Go Green!

Tuttlingen, 2023
Andreas Schmidt



**made
in
Germany**

CEO
VITO AG



15. إعلان المطابقة

هاتف: +49 (0) 7461 96289 0 | VITO AG | Eltastrasse 6, 78532 Tuttlingen (Germany) | فاكس: +49 (0) 7461 96289 12 | بريد الإلكتروني: info@vito.ag

للمنتجات: International Patent pending, VITO X-series

يتم تصنيع واختبار أنظمة تنقية زيت القلي العميق المحترفة وفقاً للمعايير التالية:
من حيث توجيهات الاتحاد الأوروبي:

- EG/42/2006 توجيه الماكينات
- EU/30/2014 التوافق الكهرومغناطيسي
- EU/35/2014 توجيه الفولطاج المنخفض
- EU/65/2011 تنفيذ استخدام بعض المواد الخطرة في المعدات الكهربائية والإلكترونية
- EC/10/2003 الحد الأدنى من متطلبات حماية صحة وسلامة العمال
- EU/19/2012 نفايات المعدات الكهربائية والإلكترونية

المخاطر من التأثيرات الجسدية (الضوضاء)، أجهزة الفلتر X تلي تشريعات التنسيق المجتمعي ذات الصلة للاتحاد الأوروبي.

- EN 61000 6 1 2019 حصانة
- EN 61000 6 2 2019 حصانة
- EN 61000 6 3 2011 انبعاث
- EN 61000 6 4 2020 انبعاث

بمعايير المانية وأوروبية وعالمية (غير أوروبية)

المعيار الدولي IEC / CISPR	المعيار الأوروبي EN	المعيار الألماني DIN EN
IEC 61000-6-1:2016	EN 61000-6-1:2019	DIN EN 61000-6-1:2019-11
IEC 61000-6-2:2016	EN 61000-6-2:2019	DIN EN 61000-6-2:2019-11
IEC 61000-6-3:2006 + A1:2010	EN 61000-6-3:2007+A1:2010	DIN EN 61000-6-3:2011-09
IEC 61000-6-4:2018	EN 61000-6-4:2019	DIN EN 61000-6-4:2020-09
IEC 61000-3-2:2018	EN 61000-3-2:2019	DIN EN 61000-3-2:2019-12
IEC 61000-3-3:2013-05	EN 61000-3-3:2013+A1:2019	DIN EN 61000-3-3:2020-07
IEC 60335-1:2010, modified	EN 60335-1:2012	DIN EN 60335-1:2020-08
ISO 12100:2011-03	EN 12100:2011-03	DIN EN 12100:2011-03
IEC 60204-1:2016, modified	EN 60204-1:2019-06	DIN EN 60204-1:2019-06
CISPR 14-1:2016 + COR1:2016	EN 55014-1:2018-08	DIN EN 55014-1:2018-08
CISPR 14-2:2015	EN 55014-2:2016-01	DIN EN 55014-2:2016-01
-	VO (EG) No. 2023/2006	-
-	VO (EG) No. 1935/2004	-
-	-	DIN EN 10088-1:2014-12
-	-	DIN 18876 A1:2018-06
-	-	DIN 18876 A2:2018-06
-	-	DIN 18876 A3:2018-06
-	-	DIN EN 50396:2006-07
-	-	DIN EN 61003-2:2017-06
-	-	DIN EN 10095:2018-12
-	-	DIN EN 10269:2014-02
-	-	DIN EN 10302:2008-6
-	-	DIN EN 82079-1:2013-6
-	EG/2002/72	-
-	EG/2001/95	على أساس
-	-	ProdSG
-	-	LFGB
-	-	DGUV-Rule 110-002

Tuttlingen, 2023
Andreas Schmidt



CEO
VITO AG

VITO®
Go Green!



made
in
Germany



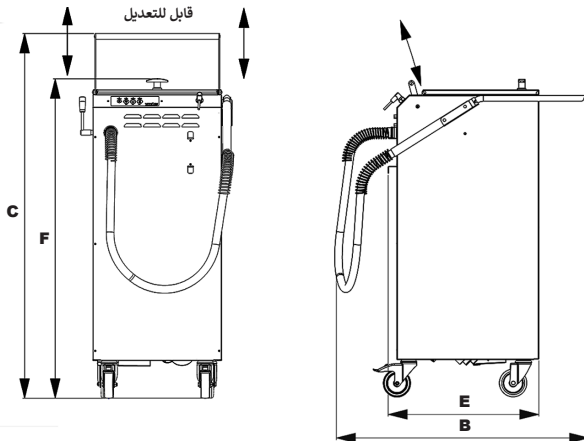
14. أجهزة VITO-X - البيانات التقنية

VITO XL	VITO XM	VITO XS	
فولتاج الرمزي حسب الدولة ، انظر ملصق النوع 240-220 فولت ~ ± 10 % 120-100 فولت ~ ± 10 % 60-50 هرتز			فولتاج الرمزي
تقريباً. 6.0A في 240-220 فولت تقريباً. 8.5A في 120-100 فولت			التصنيف الرمزي لإدخال الطاقة
110 واط			قوة التسخين القصوى
max. 200°C/ 392°F			درجة حرارة التشغيل
واط 1150 / 1050 = فولت 240-220 واط 850 / 750 = فولت 120-100			التوربين: أقصى قوة/ القوة الرمزية
ما يصل إلى 30 لتراً / دقيقة (66 رطلاً / دقيقة)			قوة الفلتر
500 واط/ 460 واط			المضخة: أقصى قوة/ القوة الرمزية
35 لتراً / دقيقة (77 رطلاً / دقيقة)			قوة الضخ
64.0 كغ (141 رطلاً)	55.8 كغ (123 رطلاً)	45.0 كغ (100 رطلاً)	وزن
نعم			إشارة صوتية
10.7 كجم / 23.6 رطل * (10)			أخذ الجسيمات (الارمزي)
120 لتراً (220 رطلاً)	75 لتراً (137 رطلاً)	40 لتراً (73 رطلاً)	سعة الخزان
حتى 95 ديسيل *			مستوى الضوضاء
+ 10 درجة مئوية - 35 درجة مئوية (50 درجة فهرنهايت - 95 درجة فهرنهايت)			درجة حرارة التخزين
لوحة للمس / ذراع التبديل			تحكم المستخدم
مادة: السليولوز 21 FDA-CFR			فلتر الجسيمات
IP23			فئة الحماية
120 لتراً (220 رطلاً)	75 لتراً (137 رطلاً)	40 لتراً (73 رطلاً)	نقطة تحويل مستشعر مستوى الزيت
واجب منقطع			وضع التشغيل

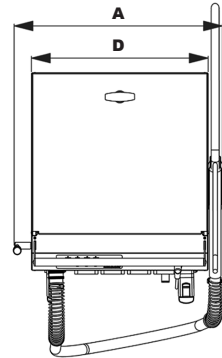
كوميكات			مُجمَع			أبعاد
ارتفاع F	عمق E	عرض D	ارتفاع C	عمق B	عرض A	
26.9in / 682mm	21.7in / 552mm	18.5in / 470mm	33.2in / 843mm	28.5in / 723mm	21.8in / 555mm	VITO XS
34.9in / 886mm	21.7in / 552mm	18.5in / 470mm	41.1in / 1044mm	34.8in / 885mm	21.8in / 555mm	VITO XM
46.2in / 1174mm	21.7in / 552mm	18.5in / 470mm	52.5in / 1334mm	34.8in / 885mm	21.8in / 555mm	VITO XL

* فئات الخبز التجارية
* فيما يتعلق بتوجيهات EG-Noise الأوروبية ٢٠٠٣ / ١٠ / EG التي تعمل مع أجهزة VITO-X لمدة ٣٠ دقيقة كحد أقصى في اليوم بدون حماية الأذن (الفلتر فقط).

VITO XL- 120l



VITO XS/XM/XL

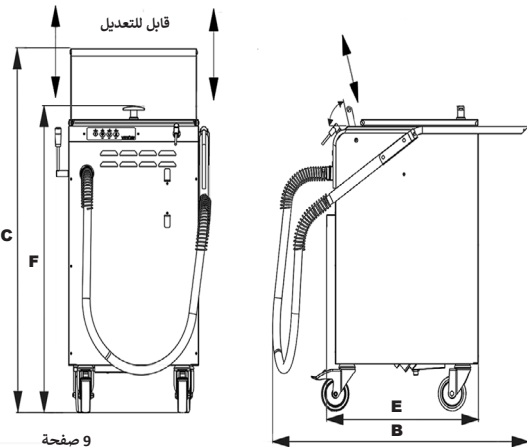


13. استكشاف الأخطاء وإصلاحها

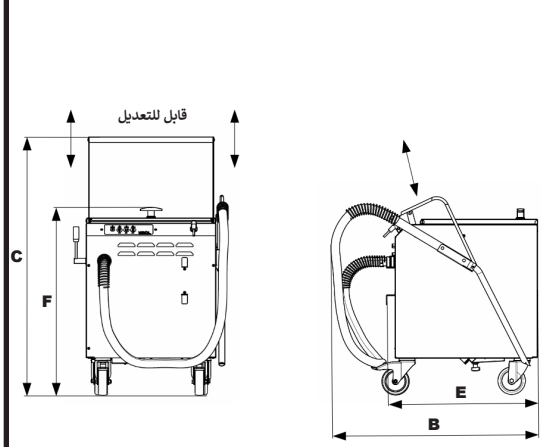
عطل	سبب محتمل	إجراءات تصحيحية
<ul style="list-style-type: none"> يظل مؤشر الطاقة (ضوء أحمر) (1.1) غير عامل 	<ul style="list-style-type: none"> سلك الطاقة (5) غير موصل سلك الطاقة (5) به خلل صمام كهربائي VITO به خلل 	<ul style="list-style-type: none"> قم بتوصيل VITO يرجى الاتصال بالخدمة يرجى الاتصال بالخدمة
<ul style="list-style-type: none"> يُصدر VITO ضوضاء عالية أثناء الفلترة 	<ul style="list-style-type: none"> المضخة أو التوربين معيب 	<ul style="list-style-type: none"> يرجى الاتصال بالخدمة
<ul style="list-style-type: none"> أحد مؤشرات LED غير مضاء ولكن لا يزال من الممكن بدء تشغيل الجهاز 	<ul style="list-style-type: none"> LED به خلل 	<ul style="list-style-type: none"> يرجى الاتصال بالخدمة
<ul style="list-style-type: none"> لا يمكن بدء تشغيل VITO 	<ul style="list-style-type: none"> وحدة التحكم بها خلل 	<ul style="list-style-type: none"> يرجى الاتصال بالخدمة
<ul style="list-style-type: none"> صمام الكهربائي لخط المطبخ/ قاطع دائرة الخطأ الأرضي (GFCI) انطفأ 	<ul style="list-style-type: none"> الكبل أو المكونات الإلكترونية الأخرى بها خلل 	<ul style="list-style-type: none"> يرجى الاتصال بالخدمة
<ul style="list-style-type: none"> أداء ضخ الراجع منخفض 	<ul style="list-style-type: none"> المضخة مسدودة المضخة بها خلل الأنبوب مسدود الرمح (7) مسدود 	<ul style="list-style-type: none"> تنظيف يرجى الاتصال بالخدمة تنظيف تنظيف
<ul style="list-style-type: none"> لا يوجد شفت أو القليل جدا 	<ul style="list-style-type: none"> فلتر الجسيمات (26) مسدود فلتر الجسيمات (26) ممتلئ سلة الفلتر (23) ممتلئة مساحة كبيرة بين الغطاء والخزان الماسورة مسدودة الاغلاق (27) متضرر 	<ul style="list-style-type: none"> قم بتغيير فلتر الجسيمات (26) قم بتغيير فلتر الجسيمات (26) أفرغ سلة الفلتر (23) ضع الغطاء أو سلة الفلتر بشكل صحيح تنظيف يرجى الاتصال بالخدمة
<ul style="list-style-type: none"> الجسيمات في الزيت المغفلت 	<ul style="list-style-type: none"> لم يتم إدخال الفلتر (26) 	<ul style="list-style-type: none"> تم إدخال الفلتر بشكل غير صحيح أدخل الفلتر كما هو موضح في الدليل
<ul style="list-style-type: none"> لا استخراج و لا وميض LED للاستخراج و لا صوت جرس 	<ul style="list-style-type: none"> مستشعر مستوى الزيت متسخ مستشعر مستوى الزيت مكسور (تحقق من منشور الزجاج) بلغ الحد الأقصى لمستوى الزيت خلل في سلة الفلتر/ فلتر الجسيمات 	<ul style="list-style-type: none"> تنظيف يرجى الاتصال بالخدمة أعد الزيت وحاول مرة أخرى قم بتغيير فلتر الجسيمات يرجى الاتصال بالخدمة
<ul style="list-style-type: none"> التسخين لا يعمل بالرغم من أن مؤشر (14) مضاء 	<ul style="list-style-type: none"> لوحة التسخين بها خلل وحدة التحكم بها خلل 	<ul style="list-style-type: none"> يرجى الاتصال بالخدمة يرجى الاتصال بالخدمة
<ul style="list-style-type: none"> ضوء الفلترة قيد التشغيل ولكن التوربين لا يعمل 	<ul style="list-style-type: none"> التوربين به خلل وحدة التحكم بها خلل 	<ul style="list-style-type: none"> يرجى الاتصال بالخدمة يرجى الاتصال بالخدمة

في حالة ظهور مشكلات أخرى ، تواصل مع دعم عملاء VITO أو الوكيل المحلي! تفاصيل الاتصال في الفصل 2 "المعلومات القانونية".

VITO XM- 75I



VITO XS- 40I



11. تغيير فلتر الجسيمات

- قم بتغيير فلتر الجسيمات (26) فقط إذا لزم الأمر. وقت التغيير يعتمد على أساس استخدام VITO وكمية الرواسب في زيت القلي.
- يجب تغيير الفلتر عندما لا يكون هناك المزيد من الأداء أو عندما يكون الفلتر ممتلئًا.

الفلتر فارغ



الفلتر ممتلئ



يجب تغيير الفلتر

12. التخلص من المخلفات

12.1. التخلص من التغليف

- يجب إعادة تدوير التغليف أو
- قم بتخزين التغليف بعناية.

12.2. التخلص من الفلتر

- يجب التخلص من الفلاتر المستخدمة وفقًا للأنظمة المحلية.

12.3. التخلص من الجهاز

إذا وصل VITO إلى نهاية دورة حياته ، فيجب التخلص منه وفقًا لذلك. تتولى شركة VITO AG هذا التصرف وفقًا لتعريف القانون. أرسل VITO إلى:

VITO AG
Eltastrasse 6
(Germany) Tuttlingen 78532

لمزيد من الأسئلة ، يرجى الاتصال بالموزع المحلي أو دعم عملاء VITO.

12.4 بيان WEEE (نفايات الأجهزة الكهربائية والإلكترونية)

لحماية البيئة العالمية وكدافع عن البيئة ، يجب أن تذكرك VITO AG بما يلي: بموجب توجيهات الاتحاد الأوروبي ("EU") بشأن نفايات المعدات الكهربائية والإلكترونية، التوجيه 19/2012 / EU ، والذي يدخل حيز التنفيذ في 14 فبراير 2014 ، لا يمكن التخلص من منتجات "المعدات الكهربائية والإلكترونية" على أنها نفايات بلدية بعد الآن ، وسوف تلتزم الشركات المصنعة للمعدات الإلكترونية المغطاة باستعادة هذه المنتجات في نهاية عمرها الإنتاجي.

سوف تلتزم VITO AG بمتطلبات استعادة المنتج في نهاية عمر المنتجات التي تحمل علامة VITO التجارية التي يتم بيعها في الاتحاد الأوروبي.

يمكنك إعادة هذه المنتجات إلى نقاط التجميع المحلية.

9. التخزين

- لا توضع VITO في غرفة التخزين الباردة! سوف يؤدي التكتيف إلى تدمير الأجزاء الكهربائية.
- درجة الحرارة المحيطة / التخزين المسموح بها: + ١٠ إلى + ٣٥ درجة مئوية (٥٠ درجة إلى ٩٥ درجة فهرنهايت).

10. العناية والخدمة

10.1 ملاحظات هامة ⚠️

- قم بتنظيف الخزان (18) والمستشعر (25) وسللة الفلتر (23) بعناية في كل مرة تقوم فيها بتغيير فلتر الجسيمات (26).
- قم بتنظيف VITO فقط عندما يكون الجهاز بارد.
- لا تستخدم المنظفات الكاشطة.
- لا تستخدم فرشاة سلكية أو ما شابه ذلك.

10.2 إستعدادات التنظيف ⚠️

1. انزع كابل VITO.
2. تأكد من ان جهاز VITO بارد.
3. افتح الغطاء العلوي (1).
4. التخلص من فلتر الجسيمات (26) (انظر 12.2).
5. التنظيف اليدوي أو الآلي لسلة الفلتر (23) والغطاء العلوي (1).
6. نظف الأجزاء المتبقية من الجهاز يدوياً.

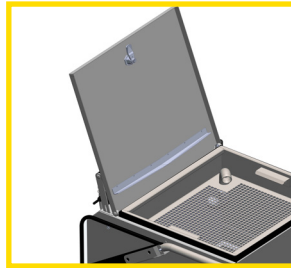
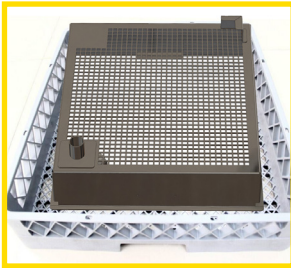
تأكد من تنظيف VITO مع مراعاة قواعد HACCP أو أنظمة بلدك!

10.3 التنظيف اليدوي ⚠️

1. نظف لوحة التحكم بقطعة قماش مبللة!
2. لا تستخدم مياه جارية. هذا سيضر بالنظام الكهربائي للجهاز!
3. نظف الأجزاء المتبقية بالماء والصابون.
3. اغسل سلة الفلتر (23).
4. جفف VITO بمتشفة.

10.4 التنظيف الآلي ⚠️

1. ضع سلة الفلتر فقط (22) في غسالة الأطباق.
2. ابدأ برنامج التنظيف.
3. نظف لوحة التحكم بقطعة قماش مبللة!
4. نظف الغطاء العلوي (1) بقطعة قماش مبللة.



8.2 ملاحظات التشغيل ⚠️

- قبل بدء العمل مع VITO، يجب عليك إطفاء المقلاة.
- يمكن مقاطعة عملية الفلتر وعملية الإرجاع في أي وقت بالضغط على زر "الطاقة" (11).
- لا تحرك VITO أثناء إجراء الفلتر!
- استخدم فقط VITO على سطح أفقي!
- لا تقم بتشغيل VITO بدون سلة الفلتر (23)! قد يتلف الجهاز!
- لا تستخدم VITO دون إغلاق الغطاء.
- لأسباب تتعلق بالسلامة، تنهي VITO عملية الضخ/الفلتر تلقائيًا بعد 5 دقائق.
- لأسباب تتعلق بالسلامة، تقوم VITO بإيقاف تشغيل سخان تلقائيًا بعد 30 دقيقة.
- أثناء التشغيل، يضيء مؤشر الطاقة (11) وإما "FILTER-فلتر" (12) أو "RETURN-إرجاع" (13).

عملية الفلتر في أجهزة VITO-X

8.3 بدء عملية الفلتر ⚠️

1. إطفاء المقلاة.
2. ضع VITO بإحكام بجوار المقلاة واستخدم العجلات بقفل كلي (10).
3. قم بتوصيل VITO = < مروحة التبريد يجب أن تعمل.
4. ضع المرح (7) في المقلاة وأمسكه بإحكام أو تأكد من قبضة آمنة.
5. أولاً، أدر ذراع التبديل إلى "FILTER-فلتر" (4)، اضغط على زر "POWER-الطاقة" (11). يجب أن يضيء مؤشر الطاقة (ضوء أحمر) (11) أ. ثم اضغط على زر "FILTER-فلتر" (12).
6. يضيء المؤشر "FILTER-فلتر" (ضوء أخضر) (12) أثناء عملية الفلتر.
7. عندما يتم الوصول إلى أقصى مستوى في الخزان (18)، يقوم VITO تلقائيًا بإيقاف تشغيل الفلتر. يومض مؤشر "FILTER-فلتر" (ضوء أخضر) (12) ويمكن سماع إشارة صوتية.
8. قم بتخزين المرح (7) في حامل المرح (8).

8.4 الانتهاء من عملية الفلتر قبل الأوان ⚠️

1. أخرج المرح (7) فوراً من الزيت.
2. دع عملية الفلتر تستمر لمدة 10 ثوان.
3. اضغط على زر "POWER-الطاقة" (11)، يجب أن يكون مؤشر الطاقة (ضوء أحمر) (11) مطفأً.
4. قم بتخزين المرح (7) في حامل المرح (8).
5. انتزع كابل VITO.

8.5 بدء عملية الإرجاع ⚠️

1. إطفاء المقلاة.
 2. ضع VITO بإحكام بجوار المقلاة واستخدم العجلات بقفل كلي (10).
 3. قم بتوصيل VITO = < مروحة التبريد يجب أن تعمل.
 4. إذا كنت تستخدم الدهون بدلاً من الزيت السائل، فقم بتشغيل التسخين بالضغط على زر "HEATER-سخان" (14). يجب أن يضيء مؤشر السخان (ضوء أخضر) (14). انتظر حتى تصبح الدهون سائلة.
 5. ضع المرح (7) في المقلاة وأمسكه بإحكام أو تأكد من قبضة آمنة.
 6. اضغط على زر "POWER-الطاقة" (11) ثم "RETURN-إرجاع" (13). الآن ببطء أدر ذراع التبديل (4) إلى وضع "RETURN-إرجاع".
 7. يضيء المؤشر "RETURN-إرجاع" (ضوء أخضر) (13) أثناء عملية الإرجاع.
- تنبيه عند بداية أو نهاية عملية الضخ الخلفي هروب الهواء من الخرطوم، والتي قد تؤدي إلى الفقاعات الهوائية والرش.**

8.6 إنهاء عملية الإرجاع قبل الأوان

1. قم بإنهاء عملية الضخ بالضغط على زر "RETURN-إرجاع" (13). الآن ارفع المرح (7) بحذر من الزيت. أبقى المرح (7) فوق المقلاة.
2. ثم اضغط على "FILTER-فلتر" (12) ثم أدر ذراع التبديل إلى "FILTER-فلتر" (4) والعودة إلى "RETURN-إرجاع" (4). تلميح: قم بإجراء هذه العملية مرتين أو ثلاث مرات للتأكد من أن النظام كله فارغ من الزيت أو السمينة، وكل ما تبقى من الزيت أو السمينة سيكون في الخزان. اضغط على زر "FILTER-فلتر" (12) لإنهاء هذه العملية.
3. اضغط على زر "POWER-الطاقة" (11)، يجب أن يكون مؤشر الطاقة (ضوء أحمر) (11) مطفأً.
4. أدخل المرح (7) في حامل المرح (8) للتخزين.
5. انتزع كابل VITO.

7. التحضير قبل الاستخدام



7.1 إرشادات السلامة

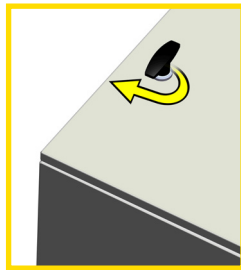
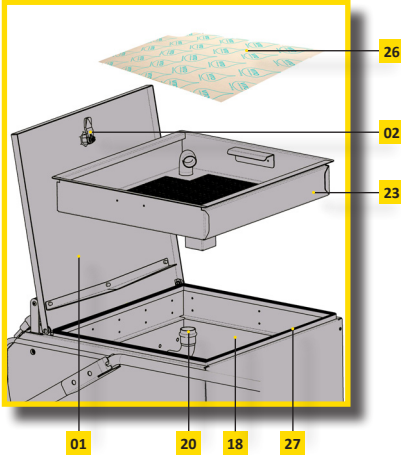
- لا تقم بتوصيل جهاز VITO عندما تحصل عليه فوراً لأول مرة ، انتظر حتى يتأقلم VITO.
- نظف VITO قبل استخدامه لأول مرة.
- تحقق من الرمح (V) وسلك الطاقة (٥) إذا كانا بخير.
- تأكد من أن فولطاج المحلي يتوافق مع فولطاج الموجود على ملصق الخاص بـ VITO!
- **لا تبدأ العمل مع VITO، يجب عليك إطفاء المقلاة.**
- **لا تعيد الزيت دون وضع الرمح في المقلاة!**
- تجنب ملامسة سلك الطاقة (٥) للزيت الساخن / سمنة!
- أقصى درجة حرارة للتشغيل هي ٢٠٠ درجة مئوية/ ٣٩٢ درجة فهرنهايت!
- (درجة حرارة الزيت الموصى بها ١٧٥ درجة مئوية/ ٣٤٧ درجة فهرنهايت).
- لا تقم بتشغيل المضخة بدون زيت!
- انتبه إلى عناصر التسخين أو الشبكات أو المستشعرات الحرارية في المقلاة!
- تحقق من وظيفة مستشعر مستوى الزيت (٢٥)!
- لا تدمر مستشعر مستوى الزيت (٢٥) عن طريق وضع السلة بشكل خاطئ أو باستخدام الرمح أو أي شيء آخر! سيتم تدمير المشور الزجاجة بسبب سوء التعامل!
- لا تستخدم مع سلك طاقة تالف (٥)!
- لا تستخدم مع أنبوب تالف (٧)!
- يكون الجهاز ساخناً أثناء/ بعد الفلتره ويمكن أن يتسبب في حروق!
- الحد الأقصى لحجم الخزان VITO XS ٤٠ LITERS / VITO XM ٧٣ LITERS / VITO XL ١٣٧ LITERS / VITO ١٢٠ lbs.
- الحد الأقصى لحجم الخزان VITO XS ٤٠ LITERS / VITO XM ٧٣ LITERS / VITO XL ١٣٧ LITERS / VITO ١٢٠ lbs.
- التشغيل بدون سلة الفلتر يمكن/ قد يؤدي إلى تدمير الجهاز!
- تعمل فقط على سطح أفقي!
- فقط امسك المقابض (٢)، (٣)!
- لا تقم بفك سلك الطاقة!
- ضع الرمح خارج المقلاة بعد عملية الفلتره أو الشطف!
- لا تستخدم VITO بدون غطاء علوي مغلق (١)
- يمكنك العمل مع أجهزة VITO-X بدون حماية للأذن بحد أقصى ٣٠ دقيقة من الفلتره يوميا.
- لا تحرك VITO بغطاء علوي مفتوح (١).
- لا تحرك VITO أثناء عملية الفلتره.

8. عملية الفلتره

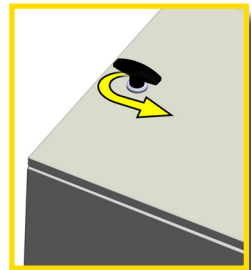
8.1 متطلبات

1. أدخل سلة الفلتر (23) في الخزان (18). يجب توصيل قاعدة تدفق سلة الفلتر (20) بقطعة توصيل (19) داخل الخزان (18).
2. ضع فلتر الجسيمات (26) في سلة الفلتر (23) (انظر الفصل 11 تغيير فلتر الجسيمات).
3. تحقق مما إذا كان السداد (27) مغطى بالكامل (حول الماكينة) بشكل سلة الفلتر (23).
4. أغلق الغطاء العلوي (1) باستخدام مقبض الإغلاق (2).
5. تأكد من أن أنبوب الخرطوم المخروطي الشكل (16) مناسب تماماً.

- لا يمكن التشغيل بدون الإعداد الصحيح لسلة الفلتر (23) والغطاء العلوي المغلق بشكل صحيح (1) ، ولا يوجد شفط يتم تكوينه.



الغطاء العلوي مغلق



الغطاء العلوي مفتوح

3. مقدمة

عزيزي زيون VITO،
شكراً لاختيارك هذا المنتج من VITO AG
الرجاء قراءة الدليل بعناية لتتعرف على التعامل مع نظام فلتر الزيت VITO لضمان الاستخدام السليم.
موزعك المحلي وخدمة العملاء جاهزون للإجابة على أسئلتك وتقديم الدعم.
نحن ممتنون للتعليقات والاقتراحات المتعلقة بنظام فلتر الزيت VITO / و / أو الدليل. (الرجاء العثور على معلومات الاتصال في هذا الدليل).
نأمل أن تستمتع بنظام فلتر الزيت VITO الخاص بك لفترة طويلة وأن تزيد من الكفاءة في مؤسستك.
مع VITO أنت تمتلك نظام فلتر الزيت عالي الجودة يمكنك من خلاله توقع عمر طويل ودعم فعال لعملك.

4. ملاحظات عامة

يحتوي دليل المستخدم هذا على معلومات مهمة حول التعامل مع أجهزة VITO-X.
يرجى قراءة هذا المستند بعناية وقبل استخدام VITO الخاص بك.
احتفظ بهذا الدليل متاحاً لمزيد من المعلومات.
VITO هو نظام فلتر للزيت، مصمم لتنظيف زيت القلي / سمنة. القلي سوف يلوث الزيت بالجزيئات المحترقة.
يسمح VITO بتنظيف الزيت مباشرة من المقلاة. الفلتر باستخدام VITO يطيل من عمر الزيت.
نوصي بالفلتر باستخدام VITO مرة أو مرتين يومياً. يمكن استخدام فلتر الجسيمات VITO عدة مرات قبل الحاجة إلى تغييره.
بمجرد أن يتعدى تفريغ الزيت أو امتلاء سلة الفلتر للجزيئات، يجب التخلص من المحتوى وفقاً للأنظمة المحلية.

5. إرشادات السلامة / معلومات السلامة / شرح الرموز

يمكن أن يؤدي العلاج الخاطئ لـ VITO إلى مخاطر وإصابات.
يجب ملاحظة ما يلي. الأخطار المحتملة مؤشر عليها بهذه العلامات:

تحذير
خطر الإصابة إذا لم يتم ملاحظتها.



خطر حدوث صدمة كهربائية
في حالة الاستخدام غير الصحيح
أو فتح الجهاز.



تحذير / خطر إصابة العين
استخدم واقي العين أثناء
استخدام VITO.



خطر الانزلاق
إذا انسكب الزيت على الأرض.



تنبيه
نصيحة أمنية مهمة



قفازات امان للحر
الأسطح الساخنة. مطلوب
قفازات أمان مقاومة للحرارة.



خطر الاحتراق
لمستخدم أجهزة VITO-X عن
طريق تطبيق غير صحيح.



تعليمات التشغيل
معلومات حول التعامل مع
أجهزة VITO-X.



ملابس الامان
ارتد ملابس الامان.



خطر الإصابة باضطراب السمع
لمستخدم أجهزة VITO-X.



فئة الحماية 1
استخدم أجهزة VITO-X فقط في
حال موصولة بالأرض.



ارتد احذية الامان.



6. أجهزة VITO-X

6.1 الاستخدام المعين

- تم تصميم VITO للاستخدام التجاري.
- اتبع إرشادات السلامة! يمكن الفلتر فقط إذا كان الزيت سائل.
- يجب استخدام VITO فقط من قبل موظفين مدربين بشكل صحيح!
- تم تصميم نظام فلتر الزيت VITO للعمل المتقطع.

6.2 استخدام غير مخصص

- قد يؤدي عدم الالتزام بالمحتويات الموصوفة في الدليل إلى إتلاف أو سوء عمل VITO أو قد يؤدي إلى إصابات بشرية خطيرة !!!
- لم يتم اعتماد VITO لتنظيف/ فلتر السوائل بخلاف زيت القلي/ سمنة!
- لا تستخدم أو تخزن VITO في الخارج! سوف يتضرر من المطر أو الرطوبة أو البرد!
- VITO غير مصمم للعمل المستمر! خطر السخونة الزائدة / خطر الحريق!
- لا تقم بتغطية فتحات التهوية الأمامية!
- لا تلمس قابس الطاقة بيد مبللة!
- لا تحشر أو تنني سلك الطاقة!
- استخدام VITO ممنوع منعاً باتاً على الأطفال!
- يجب عدم تشغيل VITO على اتصال بخلاف الحماية من الدرجة الأولى (مؤرض)
- لن يتم قبول أي مسؤولية عن الاستخدام غير الصحيح!



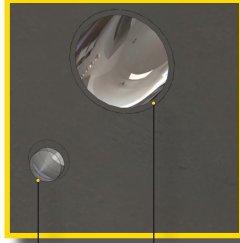
15 16 17



18 19 20



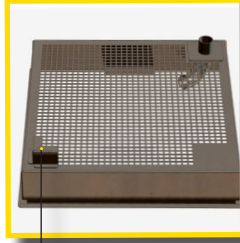
21 22 23



25 24



26 27



28

1.1 وصف أجهزة VITO-X

15. فتحة تركيب لخرطوم الريح
16. خرطوم ربط سريع + أنبوب الريح
17. حماية الانحناء
18. خزان
19. قطعة توصيل
20. قاعدة تدفق سلة الفلتر (تعلق على قطعة التوصيل 19)
21. تدفق أعلى سلة الفلتر
22. مقابض سلة الفلتر
23. سلة الفلتر
24. مدخل التوربين
25. مستشعر مستوى الزيت
26. فلتر الجسيمات
27. اغلاق
28. حماية من الفتل

1.2 محتويات التسليم لأجهزة VITO-X

- أجهزة VITO-X
- سلك الطاقة
- رمح مع خرطوم وربط سريع
- سلة الفلتر
- دليل الاستخدام
- تعليمات قصيرة
- فلتر الجسيمات (1) قطعة
- مفتاح سداسي للمقبض الأمامي (3)

2. المعلومات القانونية

VITO AG

Eltastrasse 6

Tuttlingen 78532 (ألمانيا)

هاتف: +49 (0) 7461 96289 0

فاكس: +49 (0) 7461 96289 12

info@vito.ag

www.vito.ag

:CEO

MBA, Dipl.-Wirt.Ing) Andreas

(Schmidt)

المركز الرئيسي: Tuttlingen, (ألمانيا)

محكمة التسجيل: Stuttgart HRB-75022

بالتعاون مع:

جامعة Albstadt-Sigmaringen

- الهندسة الصناعية مع الدراسات التجارية -

Jakobstrasse 1

(ألمانيا) Albstadt 72458

Copyright © VITO AG

كل الحقوق محفوظة

هذه الوثيقة محمية بموجب حقوق النشر الخاصة بـ VITO AG.

أي استنساخ، جزئياً أو على شكل أكله، دون إذن كتابي من VITO AG محظور.

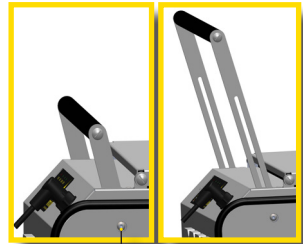
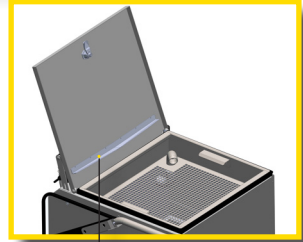
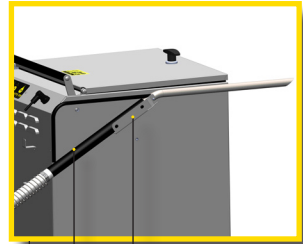
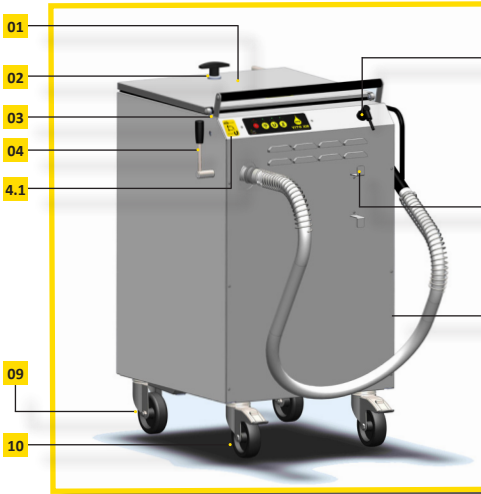
التغييرات في معنى التقدم التقني محجوزة

1. أجهزة VITO-X - نظرة عامة

منظر الجانب الأيمن

أجهزة VITO-X

(عينة - VITO-XM)



1.1 وصف أجهزة VITO-X

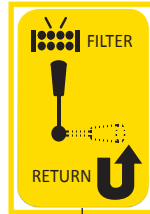
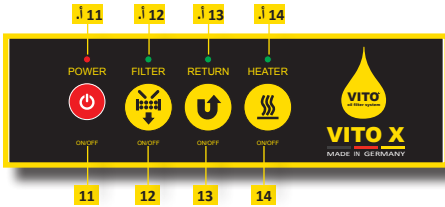
01. الغطاء العلوي
- 01.1. درع لتقطر الزيت
02. مقبض الغلق
03. مقبض الأمامي (ارتفاع قابل للتعديل)
- 03.1. برغي لتعديل المقبض الأمامي (عدد 2)
04. ذراع التبديل ارجاع/فلتر
- 04.1. رمز فلتر/ارجاع
05. سلك الطاقة
06. حامل الكابل
07. رمح بمقبض
08. حامل الرمح
09. عجلات بدون قفل كامل (عدد 2)
10. عجلات بقفل كلي (عدد 2)

1.1

3.1 مقبض الأمامي تحت

مقبض الأمامي فوق

لوحة التحكم



4.1

11. مؤشر الطاقة (ضوء أحمر)
12. مؤشر الفلتر (ضوء أخضر)
13. مؤشر الإرجاع (ضوء أخضر)
14. مؤشر السخان (ضوء أخضر)

11. زر الطاقة
12. زر الفلتر
13. زر الإرجاع
14. زر سخان

الفهرس

2	1. أجهزة VITO-X - نظرة عامة
2	1.1 وصف أجهزة VITO-X
3	1.2 محتويات التسليم لأجهزة VITO-X
3	2. المعلومات القانونية
4	3. مقدمة
4	4. ملاحظات عامة
4	5. إرشادات السلامة / معلومات السلامة / شرح الرموز
4	6. أجهزة VITO-X
4	6.1 الاستخدام المعين
4	6.2 استخدام غير مخصص
5	7. التحضير قبل الاستخدام
5	7.1 إرشادات السلامة
5	8. عملية الفلتر
5	8.1 متطلبات
6	8.2 ملاحظات التشغيل
6	8.3 بدء عملية الفلتر
6	8.4 الانتهاء من عملية الفلتر قبل الأوان
6	8.5 بدء عملية الإرجاع
6	8.6 إنهاء عملية الإرجاع قبل الأوان
7	9. التخزين
7	10. العناية والخدمة
7	10.1 ملاحظات هامة
7	10.2 إستعدادات التنظيف
7	10.3 التنظيف اليدوي
7	10.4 التنظيف الآلي
8	11. تغيير فلتر الجسيمات
8	12. التخلص من المخلفات
8	12.1 التخلص من التغليف
8	12.2 التخلص من الفلتر
8	12.3 التخلص من الجهاز
8	12.4 بيان WEEE (نفايات الأجهزة الكهربائية والإلكترونية)
9	13. استكشاف الأخطاء وإصلاحها
10	14. أجهزة VITO-X - البيانات التقنية
11	15. إعلان المطابقة



Manufacturer

VITO AG

Eltastr.6, 78532 Tuttlingen

P +49 (0) 7461 / 96289-0

F: +49 (0) 7461 / 96289-12

info@vito.ag

www.vito.ag

VITO® is a registered trademark of
VITO AG, Germany.

Follow us on:

